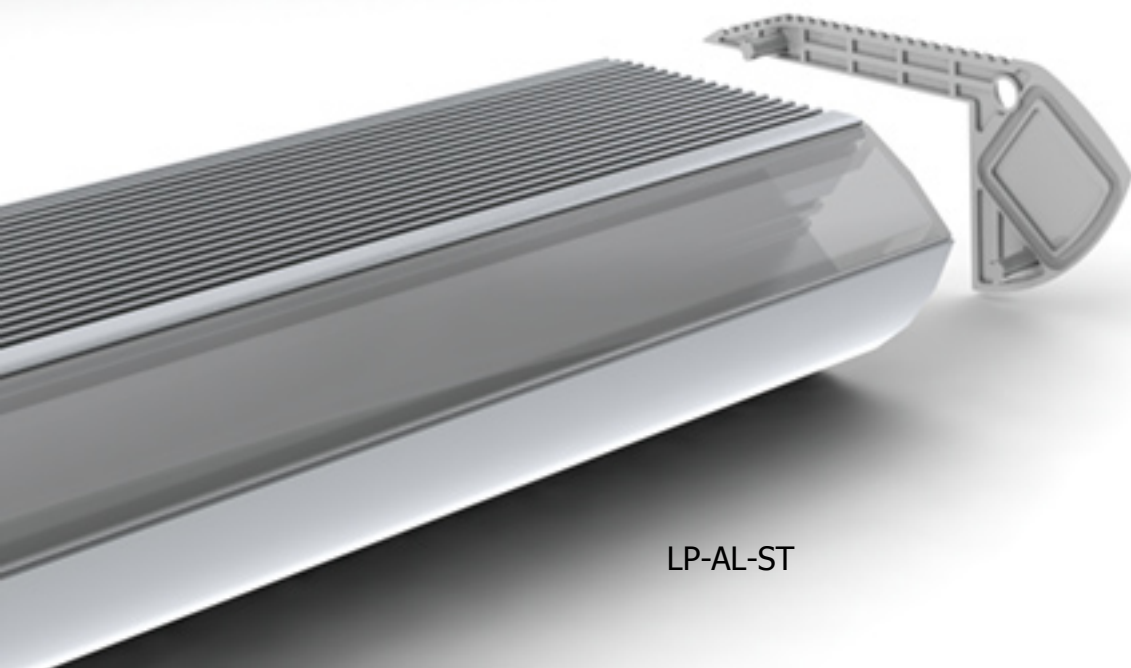


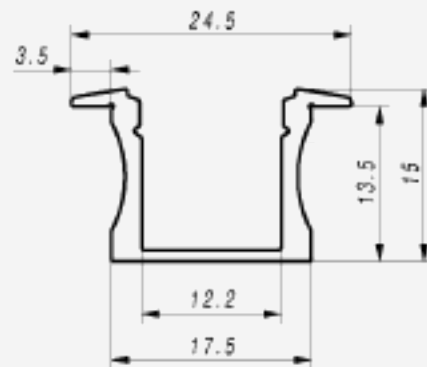
LED ПРОФИЛЬ ВЫСОКОГО КАЧЕСТВА ДЛЯ СВЕТОДИОДНОГО ОСВЕЩЕНИЯ И ПОДСВЕТКИ ИНТЕРЬЕРОВ

Stair LED профиль



LP-AL-ST

Серия SLIMLINE-15



Introduction:

It is recessed type of the aluminum LED profile to build into material as MDF or other. The profile can be also recessed into floor (with IP54 LED ribbon inside only), wall or ceiling and the wide edges of the profile will cover the edges of insertion row completely. Extruded polycarbonate, high quality diffuser now is placing/removing from the front on click. It is UV resistant, and damage resistant (walk over safe, tested). Customer has a choice of three types of the diffusers what can be placed into that LED profile, frosted, 50% frosted and transparent.

The fully frosted diffuser do not shows led dots on the diffuser surface and the LED's are not visible. Frosted diffuser is giving nice smooth light line. Base of the profile is made from anodized aluminum in standard silver color. The product can be customizing like anodized in 9 different colors, and paint in any RAL color. Additionally on the outside surface we can place tin/screch resistant foil, which imitates the wood structure on the profile for perfect mach with kitchen cabinets. All most popular woods structure foils are available.

Profile is available on stock in 1m or 2m sections with finish accessories as end caps or mounting brackets. The aluminum profile will provide mechanical and thermal protection for the LEDs. The profile can be use with high power LED's up to 1W each. Led profiles are IP20 can be use outside with IP67 led ribbons only.

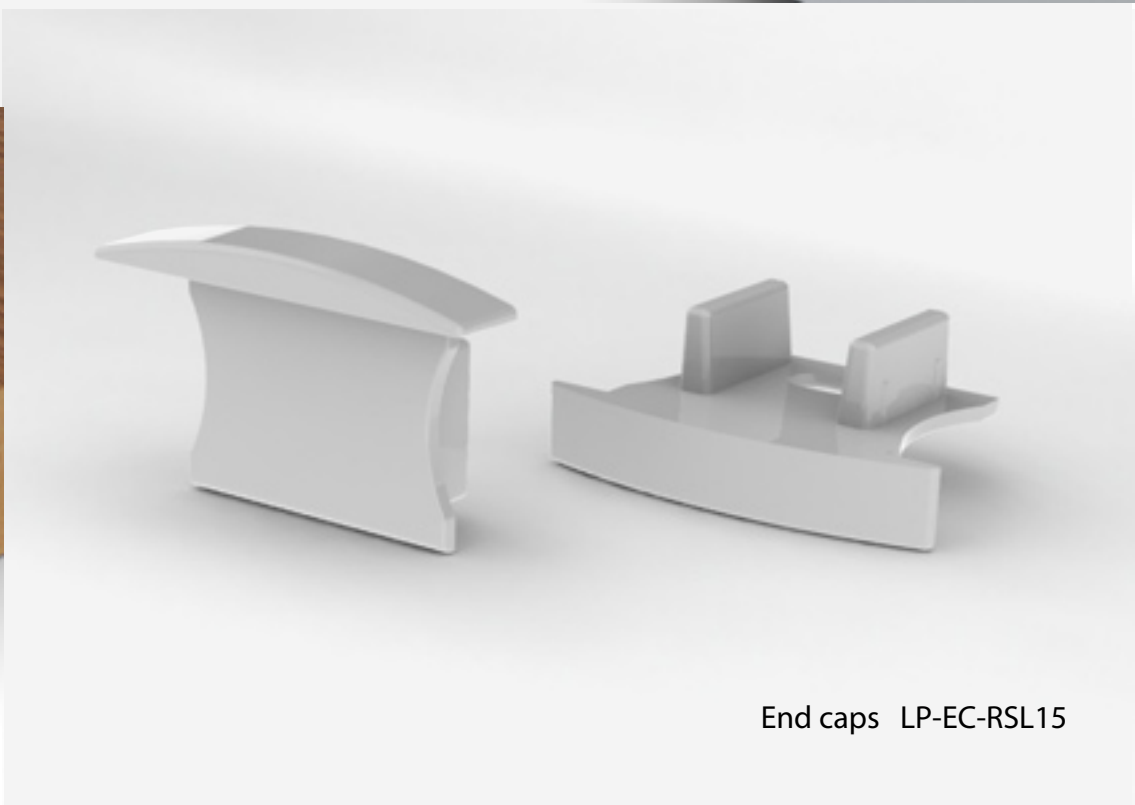
Applications:

- Recessed under kitchen cabinets LED lighting
- Floor led lighting (with IP54 led's)
- Recessed storage shelves LED lighting
- Gypsum ceiling, wall accent LED lighting
- Furniture production
- Exhibition boot LED lighting
- Interior LED accent lighting

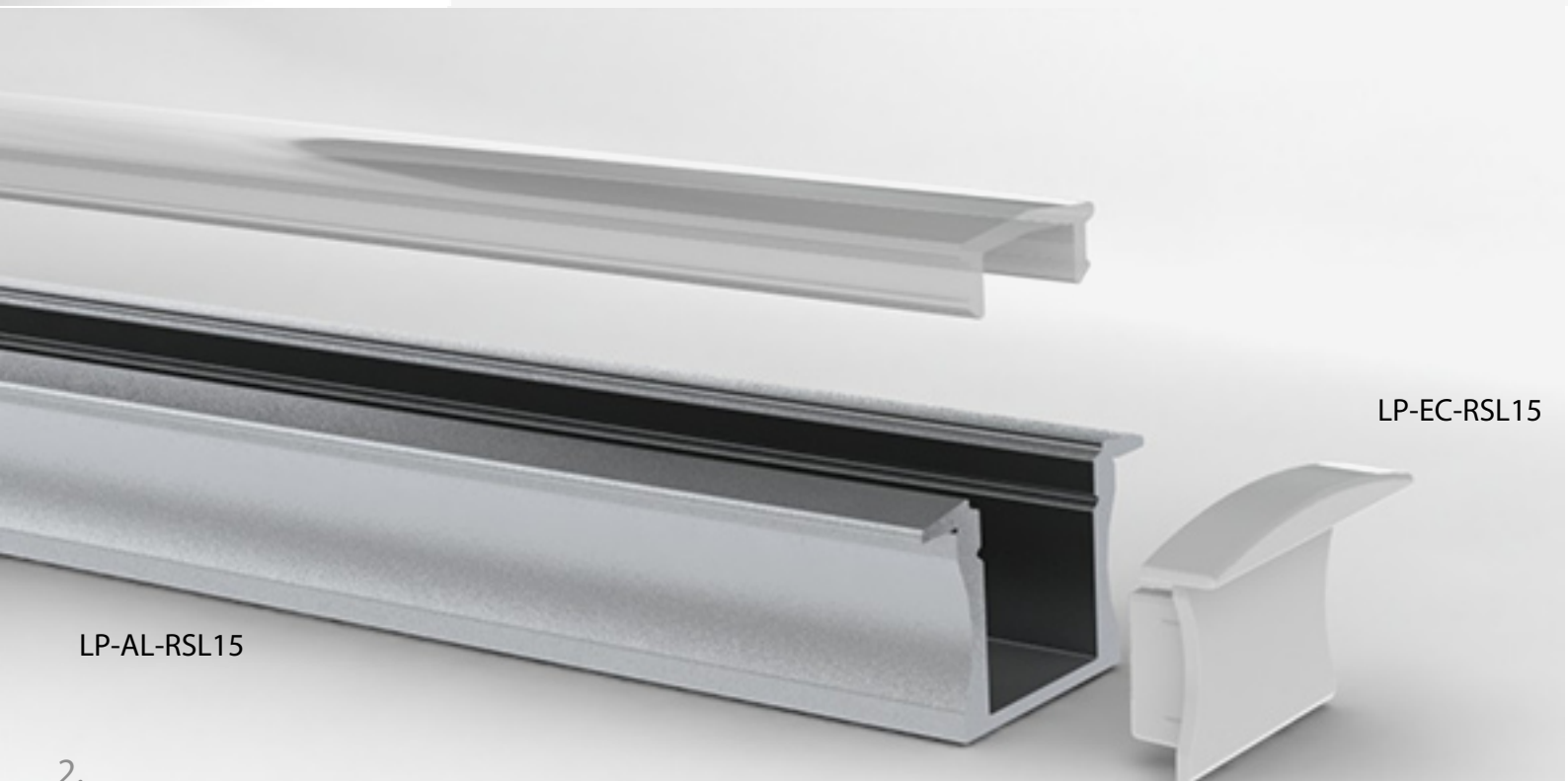
LP-AL-RSL15



Серия SLIMLINE-15

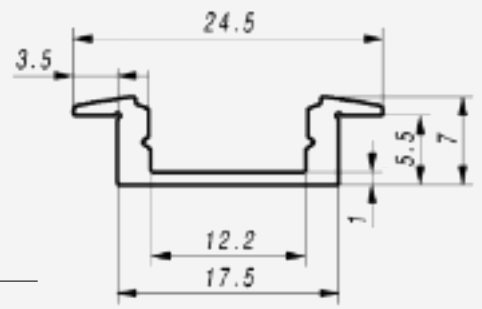


End caps LP-EC-RSL15



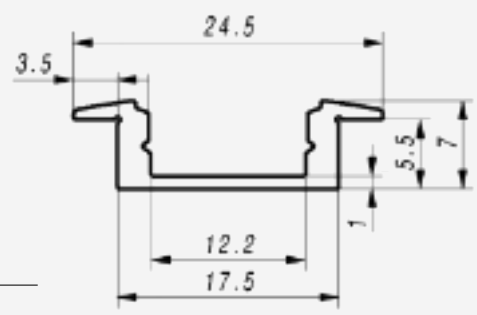
LP-AL-RSL15

LP-EC-RSL15



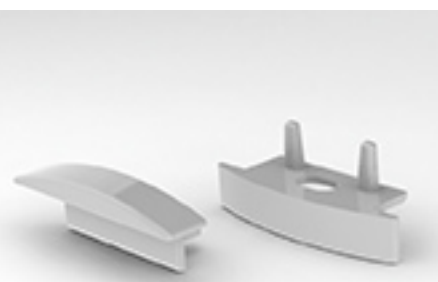
Серия SLIMLINE-7





Серия SLIMLINE-7

LP-AL-RSL7



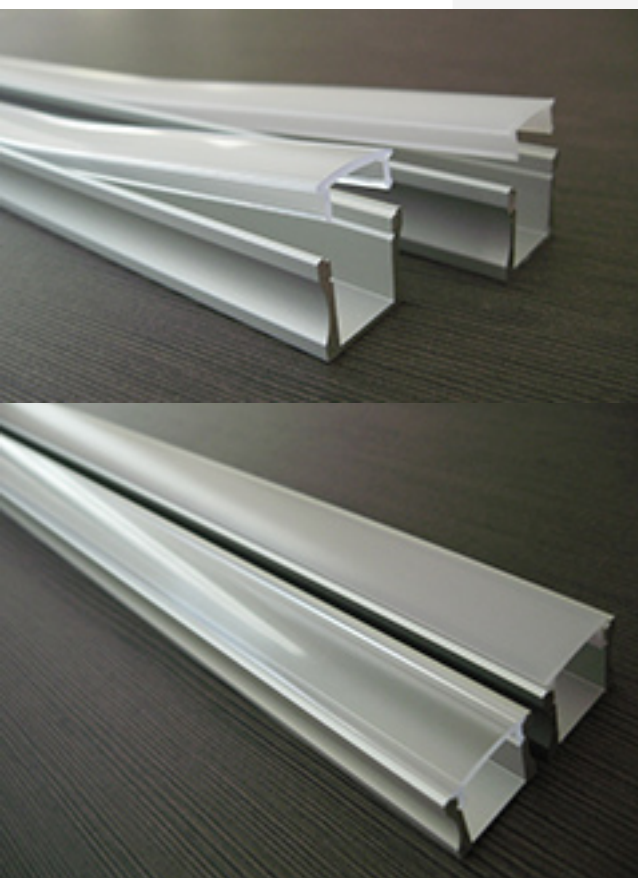
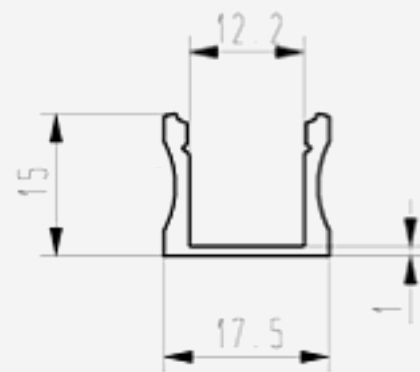
End caps - LP-EC-RSL7



LP-AL-RSL7

LP-EC-RSL

Серия SLIMLINE-15



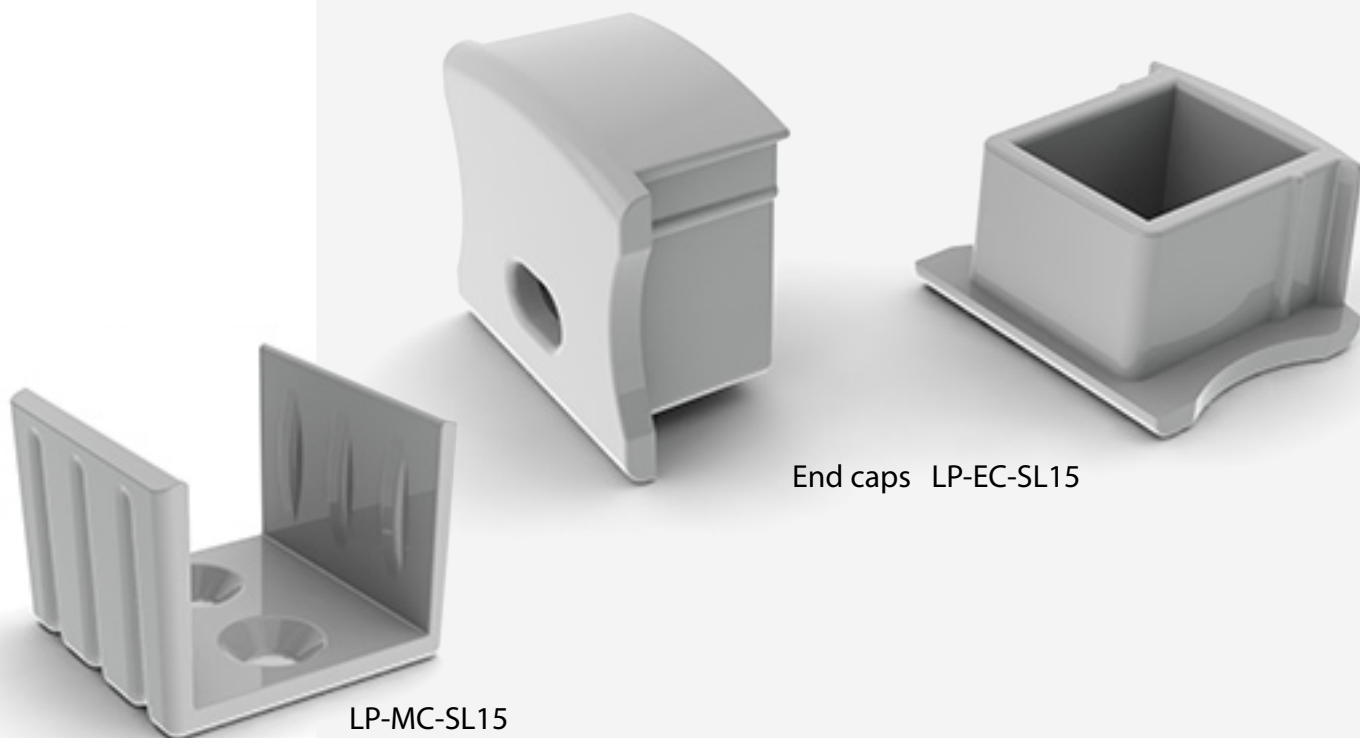
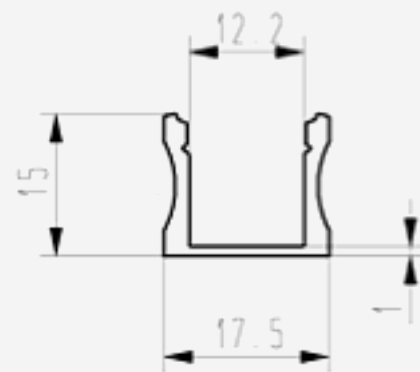
Features:

- High quality diffuser, placing/removing from front on click
- Led dots free profile (frosted)
- Walk on safe diffuser, UV resistant polycarbonate diffuser
- Available with 50% frosted, frosted and transparent diffuser
- LED dots free on frosted diffuser (high density LED's ribbon)
- Made from anodizing aluminum
- Suitable for low/high power led bars
- Available lengths – 1m, 2m
- Heat sink and physical protection to the LEDs
- For indoor use only

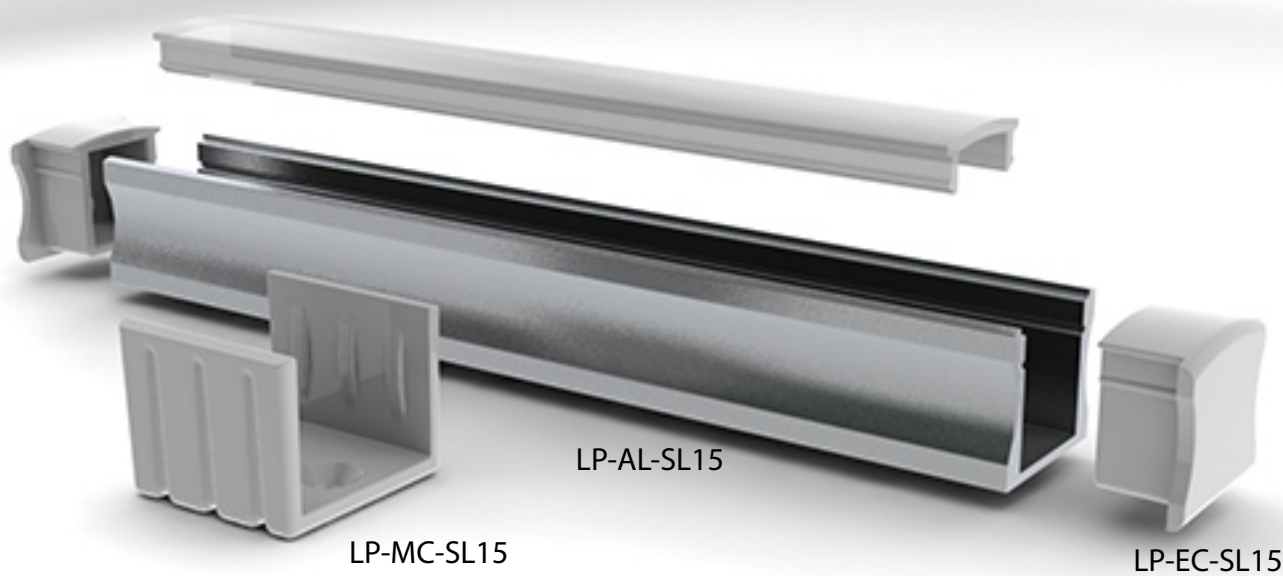
Applications:

- Furniture production (kitchen / office)
- Interior light design (stairs / storage / floor)
- Stores shelf LED lighting
- Independent LED lamp
- Exhibition boot LED lighting

Серия SLIMLINE-15



End caps LP-EC-SL15



LP-AL-SL15

LP-MC-SL15

LP-EC-SL15

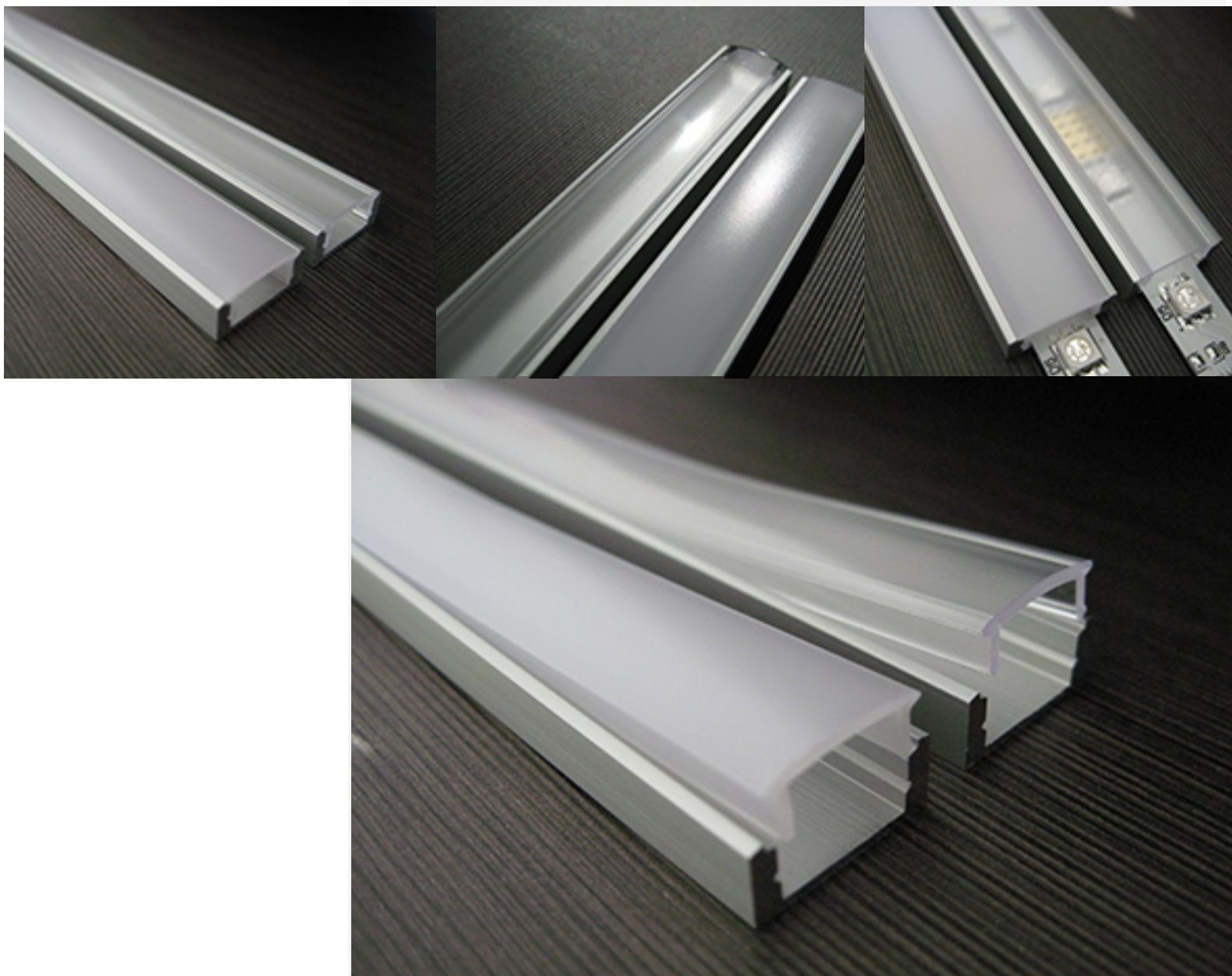
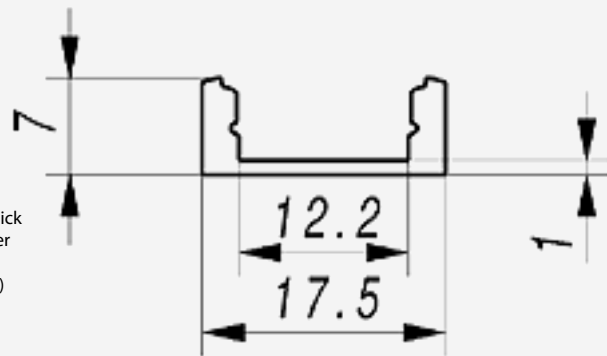
Серия SLIMLINE-7

Features:

- High quality diffuser, placing/removing from front on click
- Walk on safe diffuser, UV resistant polycarbonate diffuser
- Available with opal, 50% opal and transparent diffuser
- Available lengths – 1m, 2m, 3,5m (large quantity orders)
- Made from anodizing aluminum
- Suitable mostly for flexible led stripes
- For indoor use only
- Low profile only 7mm high

Applications:

- Furniture production (kitchen / office)
- Interior light design (stairs / storage / floor)
- Stores shelf LED lighting
- Independent LED lamp
- Exhibition boot LED lighting



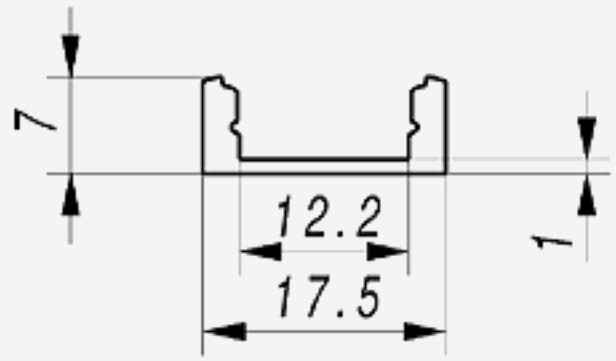
Серия SLIMLINE-7

Features:

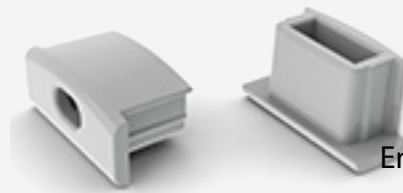
- High quality diffuser, placing/removing from front on click
- Walk on safe diffuser, UV resistant polycarbonate diffuser
- Available with opal, 50% opal and transparent diffuser
- Available lengths – 1m, 2m, 3,5m (large quantity orders)
- Made from anodizing aluminum
- Suitable mostly for flexible led stripes
- For indoor use only
- Low profile only 7mm high

Applications:

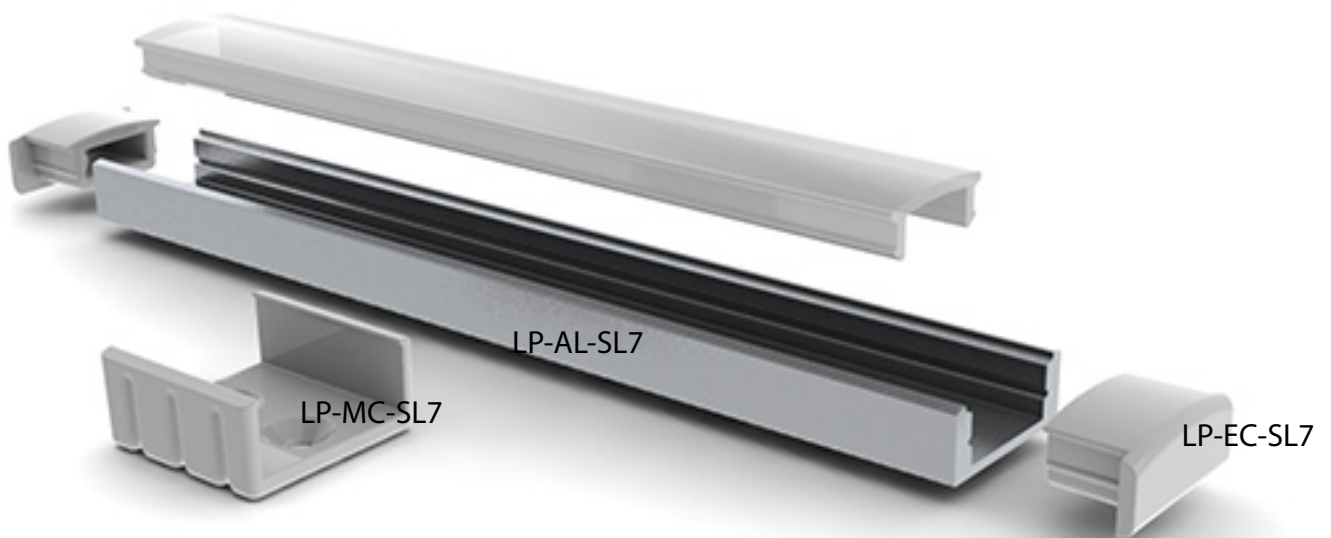
- Furniture production (kitchen / office)
- Interior light design (stairs / storage / floor)
- Stores shelf LED lighting
- Independent LED lamp
- Exhibition boot LED lighting



LP-MC-SL7



End caps LP-EC-SL7

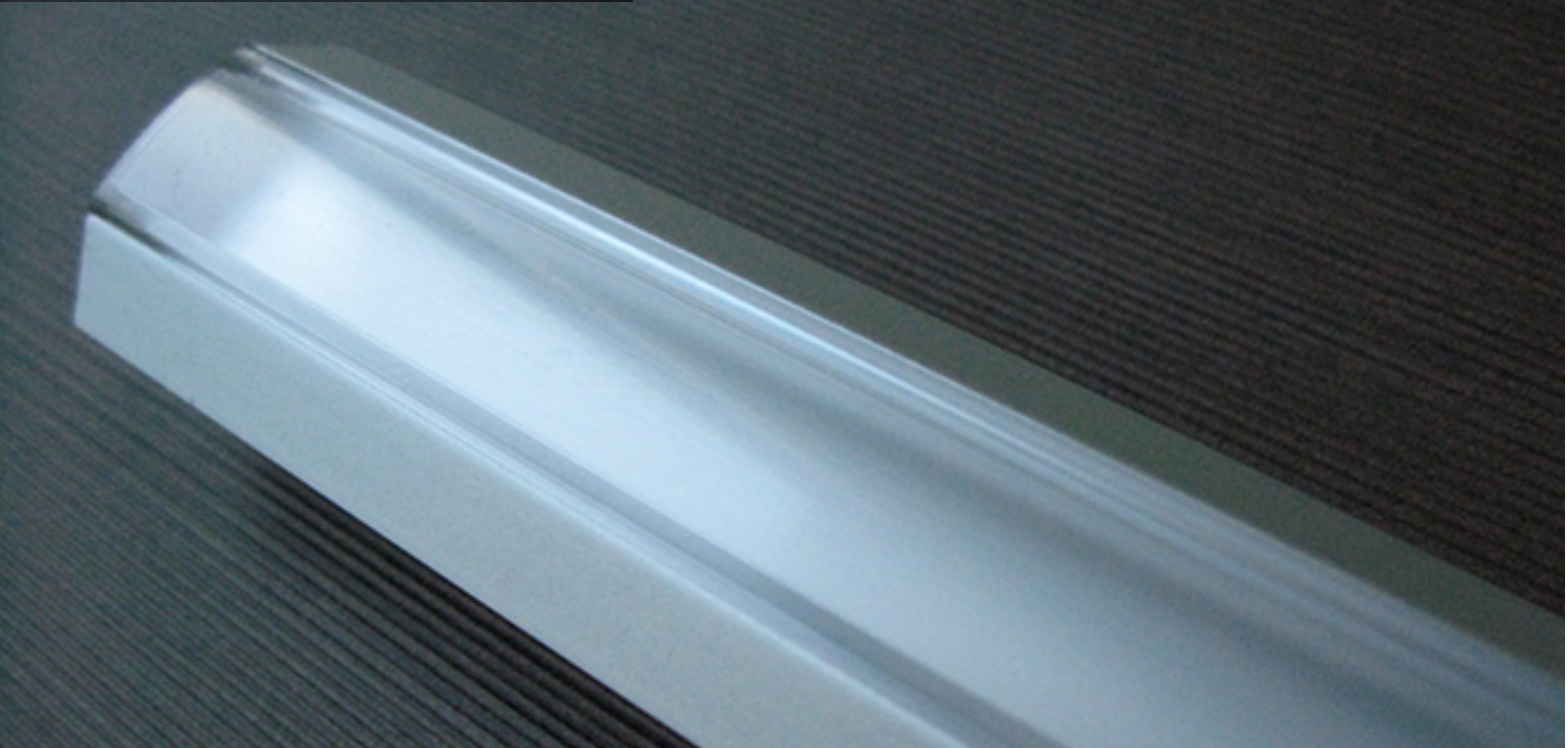
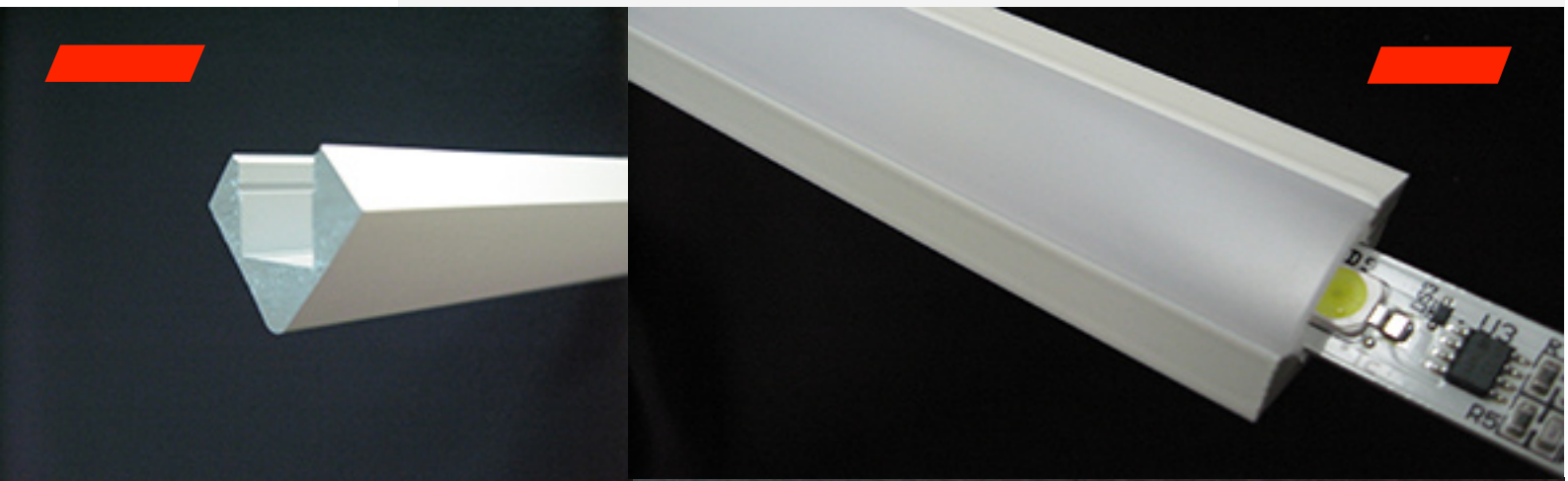
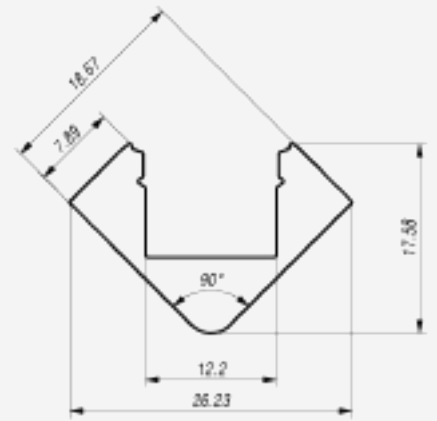


LP-MC-SL7

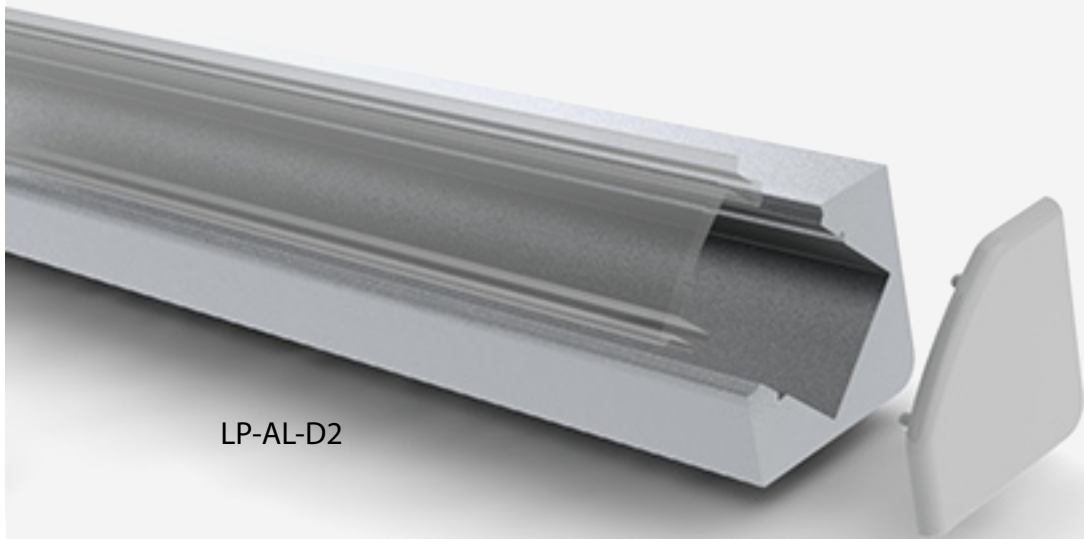
LP-AL-SL7

LP-EC-SL7

ALU-45 (45 degree light angle)



ALU-45°
(45 degree light angle)



LP-AL-D2

LP-EC-D1
End cap



LP-EC-D1
End cap w/out
cable hole

LP-EC-D2
End cap w/out
cable hole



LP-MC-D1
Mounting bracket

Features:

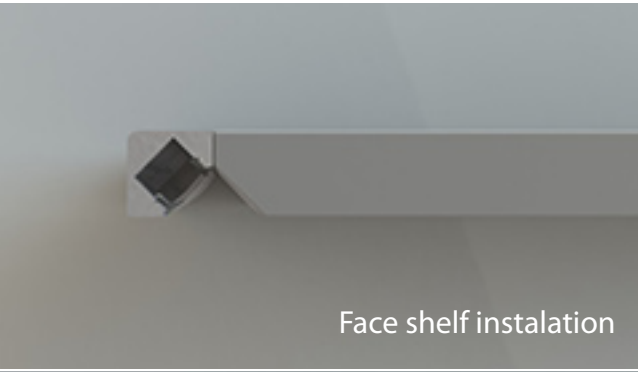
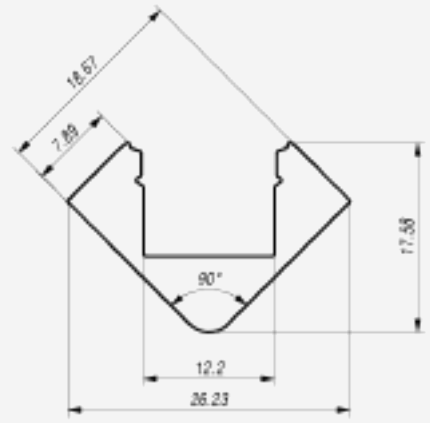
- High quality diffuser now placing from the front on click
- Polycarbonate UV resistant, damage resistant (walk over safe)
- Diffuser available in transparent, 50% opal and opal
- Base of the profile is made in anodized aluminum
- Profile available in RAL9010 and standard anode color
- Profile is available in lengths 1m/2m or 3,5m (large quantity order)
- ALU-CORNER is suitable for low power and high power leds
- Simplicity design with high quality finish

Applications:

- Under kitchen cabinets LED lighting
- Stores shelves LED lighting
- Furniture production, inside cabinets LED lighting
- Storage shelves LED lighting
- Exhibition boot LED lighting
- Interior LED lighting

ALU-45°
INSTALATION
OPTIONS

Patented



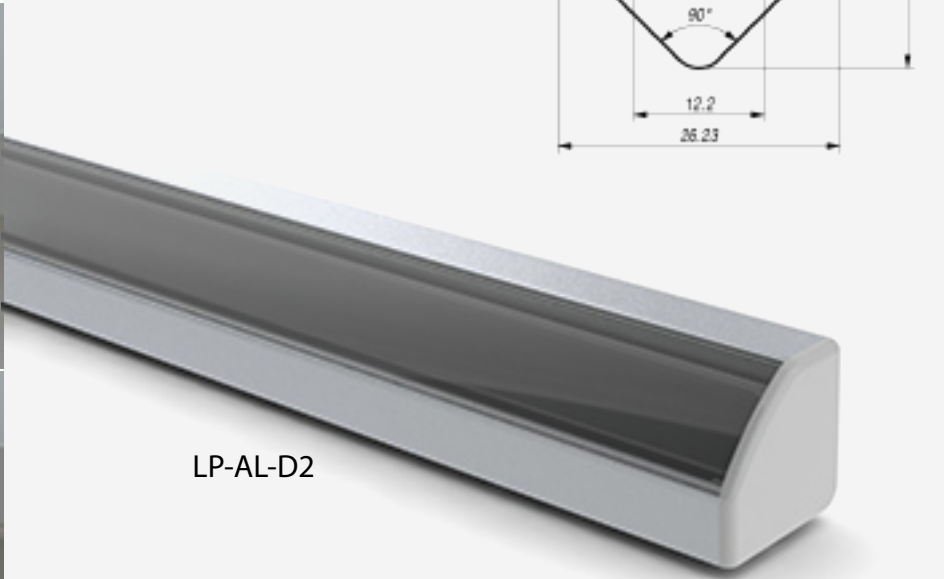
Face shelf instalation



corner instalation

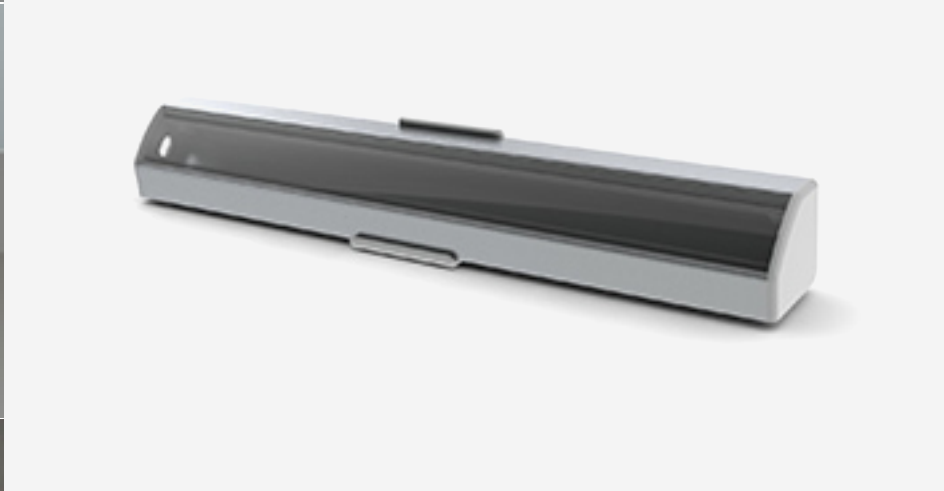


store shelf



LP-AL-D2

End cap
LP-EC-D1

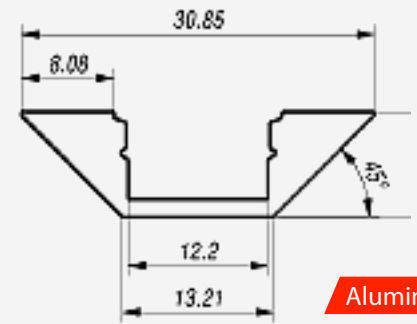


Mounting bracket
LP-MC-D1

End cap
with cable
hole

ALU-CORNER

Profile is made from anodizing aluminum with 45° LED light emitting angle. It is perfect solution for under kitchen cabinets, store shelves LED lighting. The light emitted by the leds is directed by the profile in 45° degree angle and do not blind the person who is standing in front of it. The profile is available in anodized version of aluminum and RAL9010. Profile comes with polycarbonate UV resistant diffuser, which now is placed/removed, into the profile from front on click. The customer has choice of use transparent, 50% frosted and frosted diffuser. Profile provides mechanical and thermal protection (heat sink) to the leds and is suitable for high power LED bars.



Ral 9010



Anodized

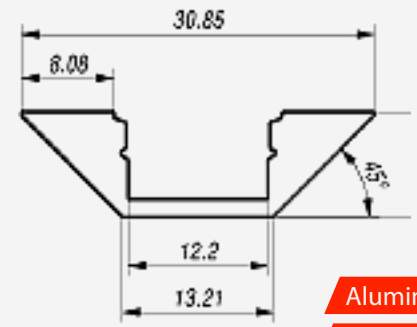


LP-AL-RE2



LP-AL-E2

ALU-CORNER



Aluminum

Ral 9010



Ral 9010



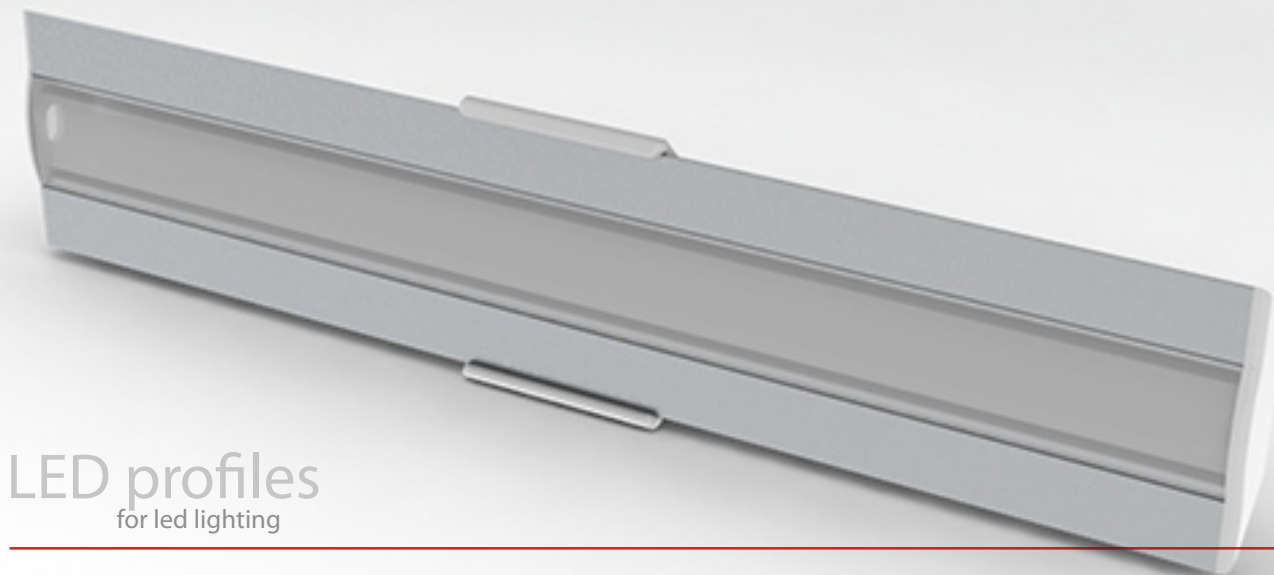
Anodized

Features :

- High quality diffuser now placed from the front on click
- Polycarbonate UV resistant, damage resistant (walk over safe)
- Diffuser available in transparent, 50% opal and opal
- Base of the profile is made in anodized aluminum
- Profile is available in RAL9010 and standard anodized color
- Profile is available in lengths 1m/2m or 3,5m (large quantity order)
- ALU-CORNER is suitable for low power and high power leds
- Simplicity in design with high quality finish

Applications:

- Under kitchen cabinets LED lighting
- Stores shelves LED lighting
- Furniture production, inside cabinets LED lighting
- Storage shelves LED lighting
- Exhibition boot LED lighting
- Interior LED lighting

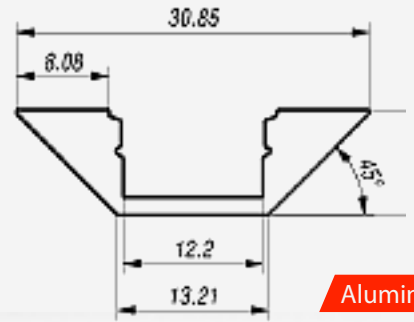


LED profiles
for led lighting

Anodized
Ral 9010

Patented

ALU-CORNER ACCESSORIES



Aluminum

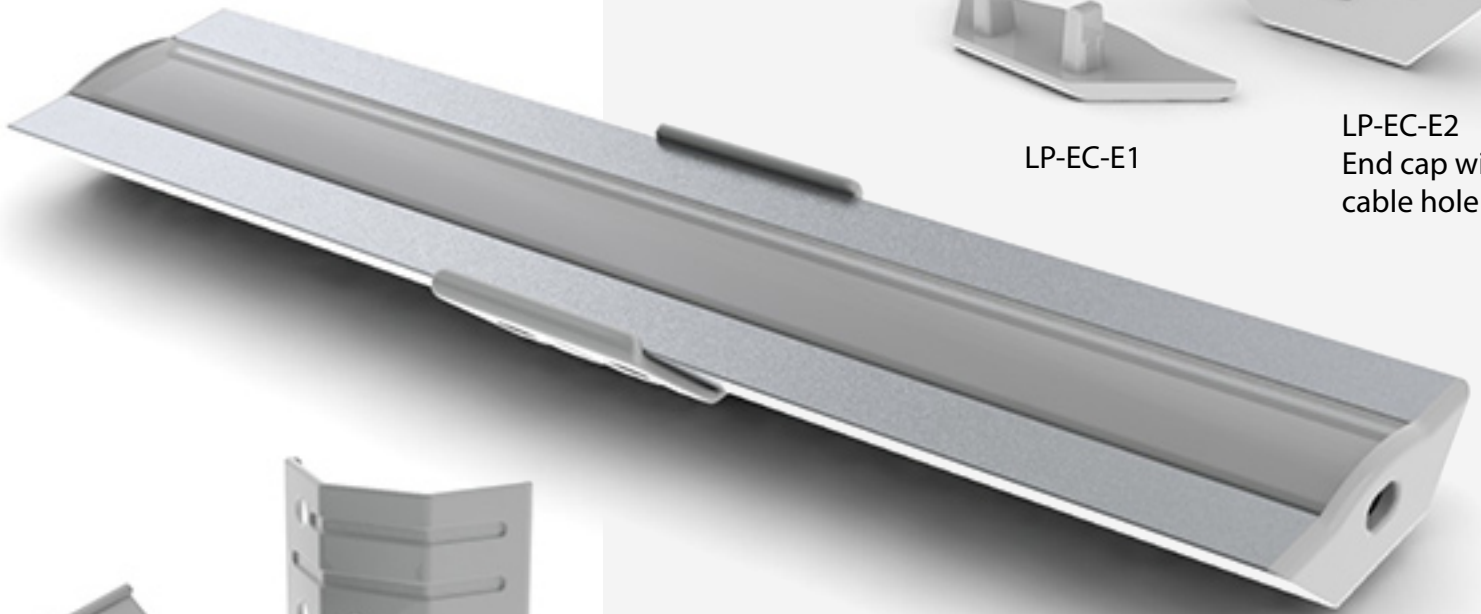


LP-MC-E1
Mounting bracket

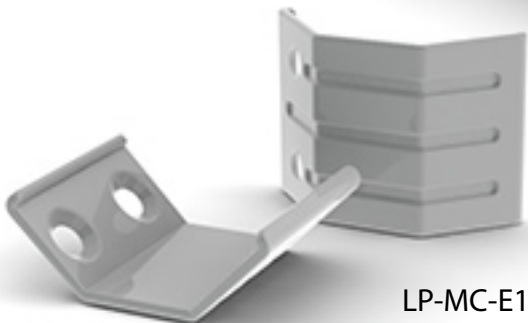


LP-EC-E1

LP-EC-E2
End cap with
cable hole



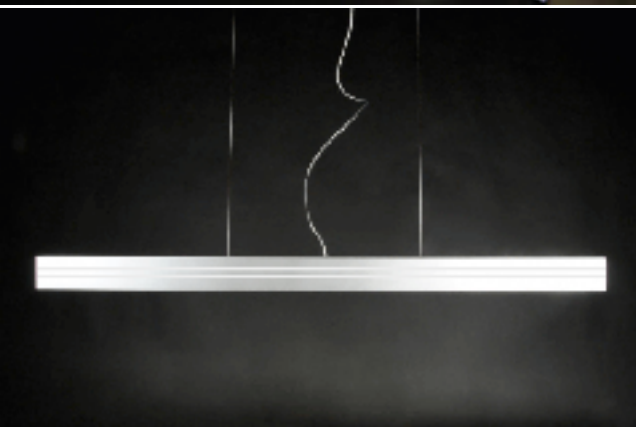
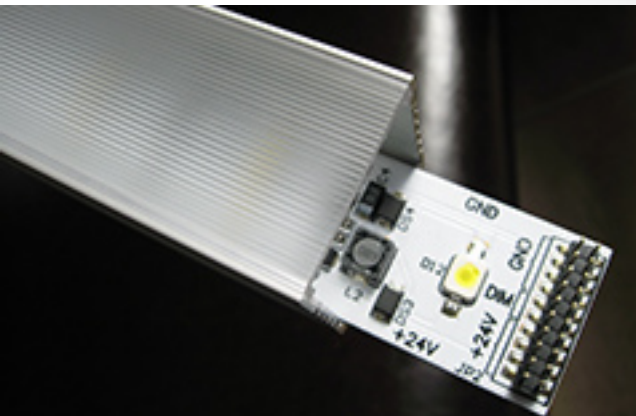
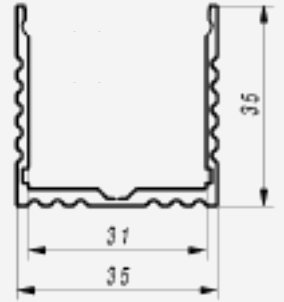
LP-EC-E2



LP-MC-E1

LED profiles
for led lighting

POWER LINE 35mm



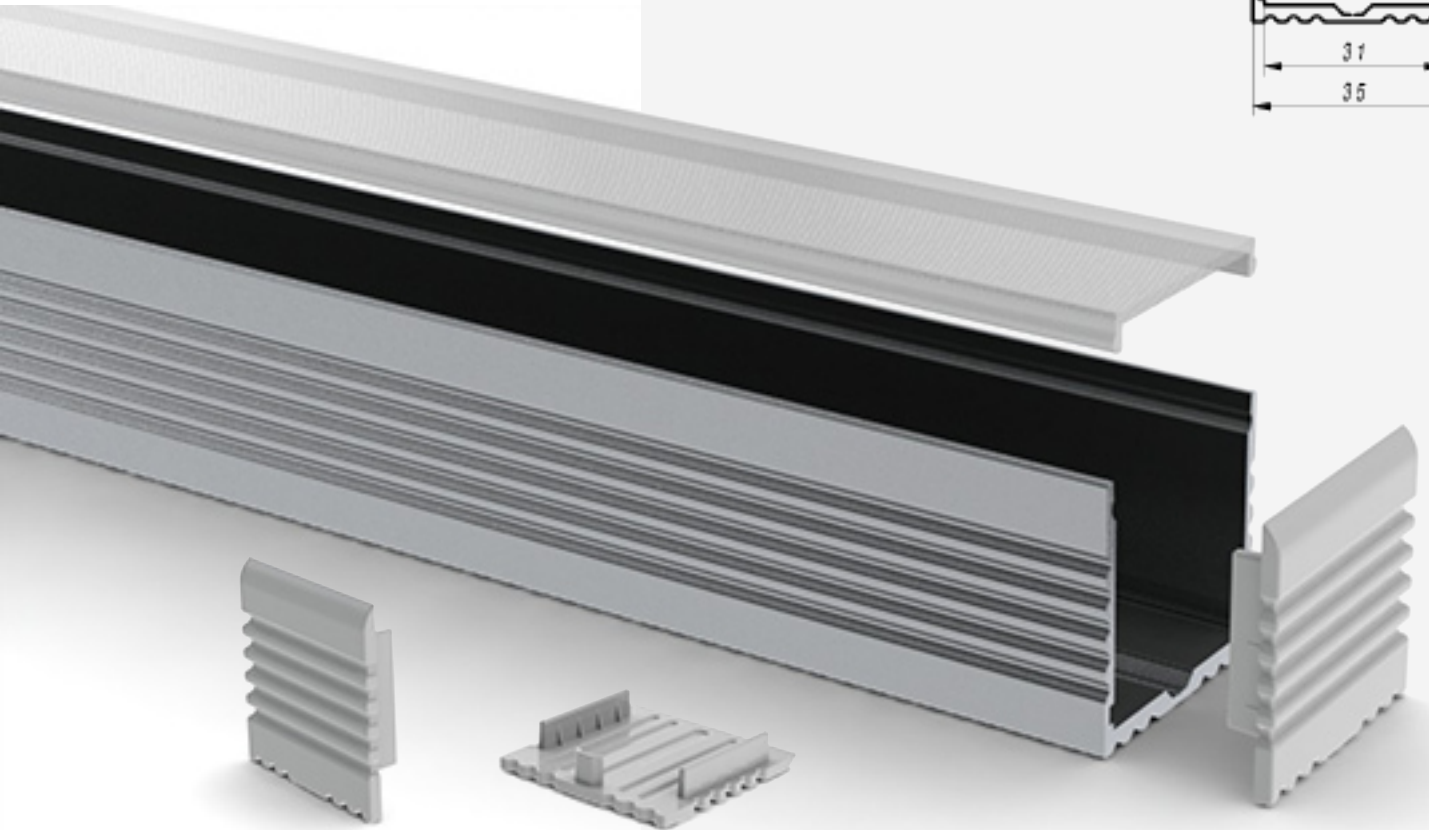
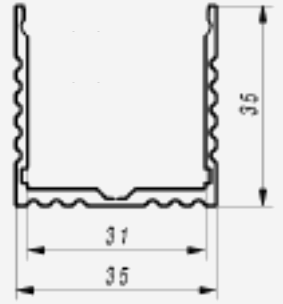
Power Line 35mm

This profile is dedicated to be use as the LED lighting fixture for main lighting at the offices, libraries show rooms or above the kitchen table. It is made from anodized aluminum and is suitable for up to 32mm wide high power LED bars.

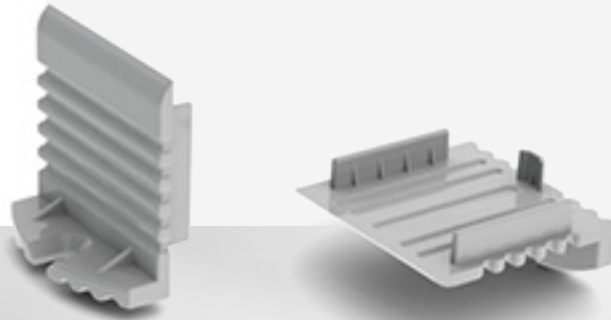
The profile can be suspended from the ceiling on the stainless still wires or can be screw it directly to the surface. Profile comes with polycarbonate UV resistant frosted or transparent diffuser placed and removed from the front on click.

We have designed two types of finished end caps for two different installation options. Profile is available in length of 1m or 2m.

POWER LINE 35mm



End caps type
LP-EC-PL1

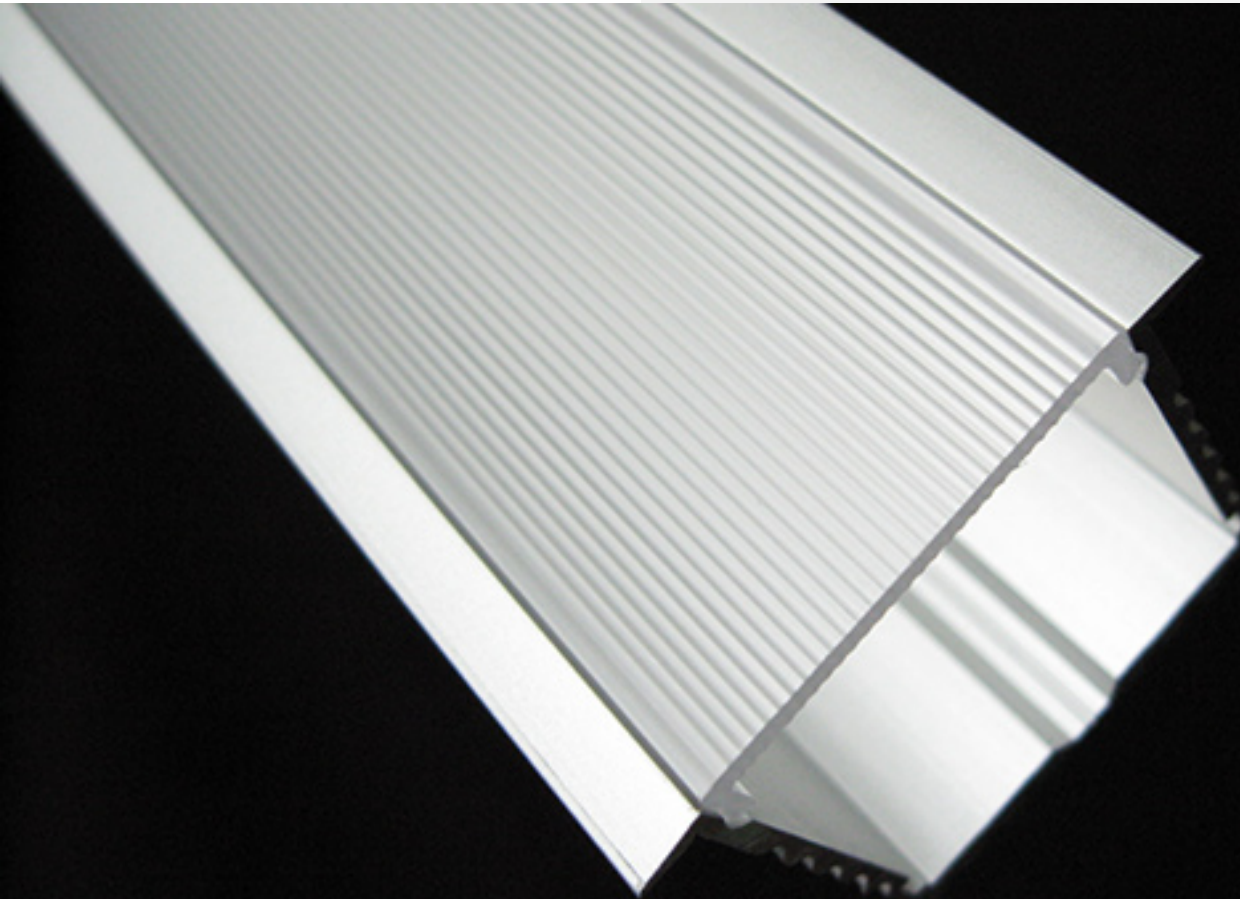
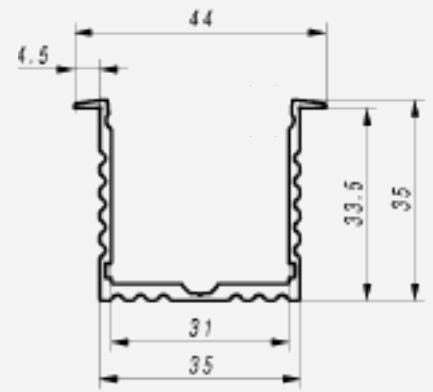


End caps type
LP-EC-PL2

LP-AL-PL



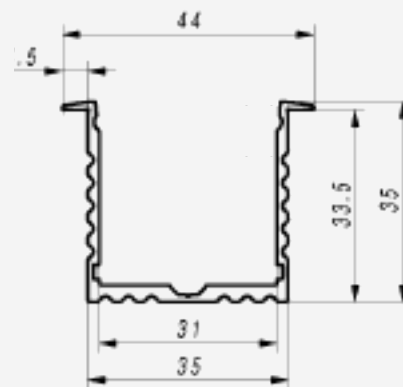
RECESSED POWER LINE 35mm



Recessed Power Line 35mm

This profile is dedicated to build into the gypsum ceiling as the LED lighting fixture for main lighting at the offices, show rooms, restaurants and shops. It is made from anodized aluminum and is suitable for up to 32mm wide high power LED bars. Profile comes with polycarbonate UV resistant frosted or transparent diffuser placed and removed from the front on click. The light diffusion with the frosted diffuser is complete. RPL35 is giving soft light on the whole surface. Profile is dedicated for the high power LED lighting. It is available in length of 1m or 2m.

RECESSED POWER LINE 35mm



LP-AL-RPL

LP-EC-RPL



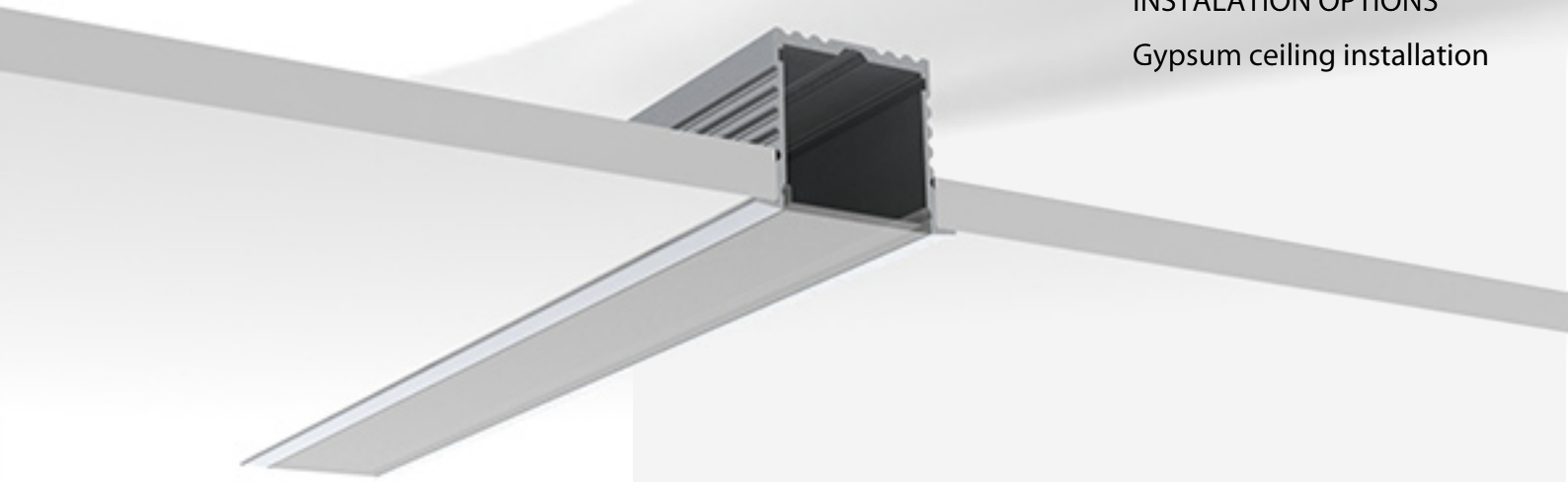
Features:

- High quality polycarbonate diffuser
- No LED dots shows on the diffuser surface
- Right high, soft and smooth light diffusion
- Diffuser is placed/removed from the top on click
- High quality anodized aluminum base
- Heavy duty "heat sink" for high power LEDs
- Compatible with our 30mm wide high power LED bars
- Matching finish end cups for this profile are available
- Gypsum ceiling installation
- Available in length of 2m/1m with clear or frosted diffuser

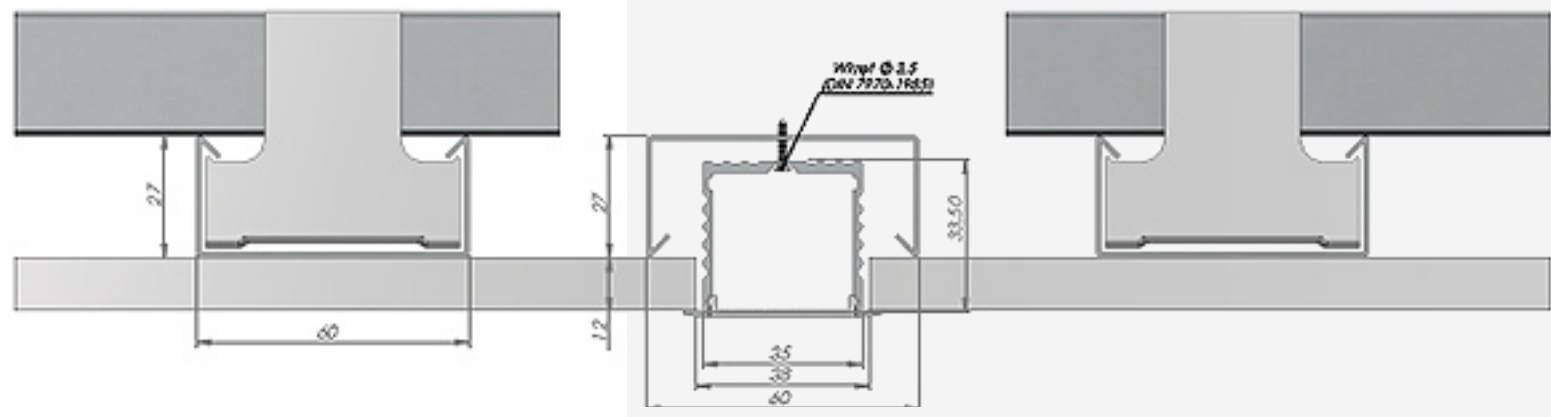
Application:

- Show rooms ceiling LED lighting
- Restaurants ceiling LED lighting
- Shopping malls LED lighting

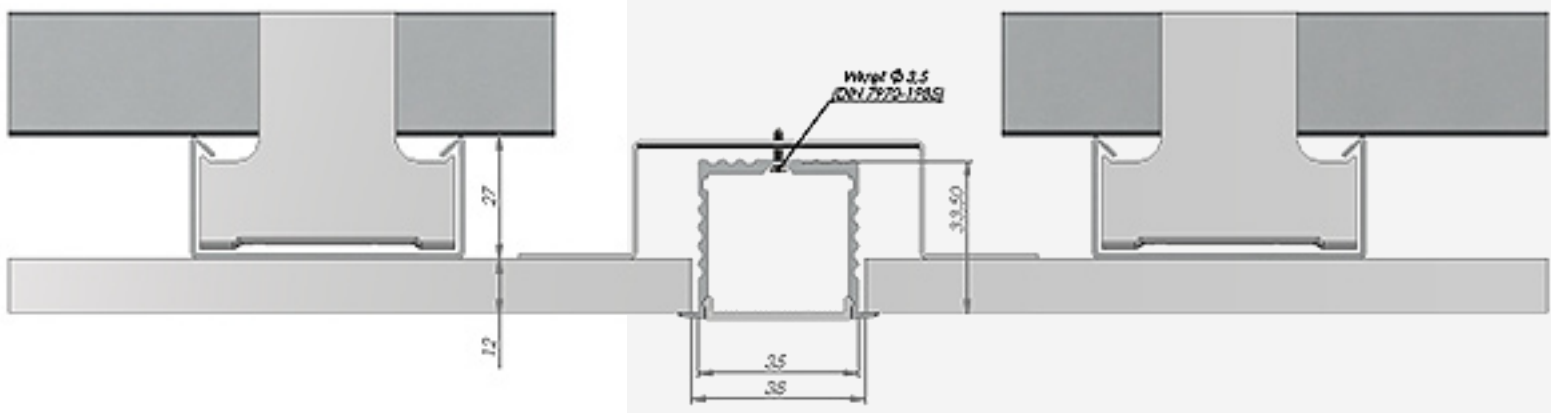
RECESSED POWER LINE 35
INSTALLATION OPTIONS
Gypsum ceiling installation



OPTION 1. W/OUT FIRE RESTRICTIONS

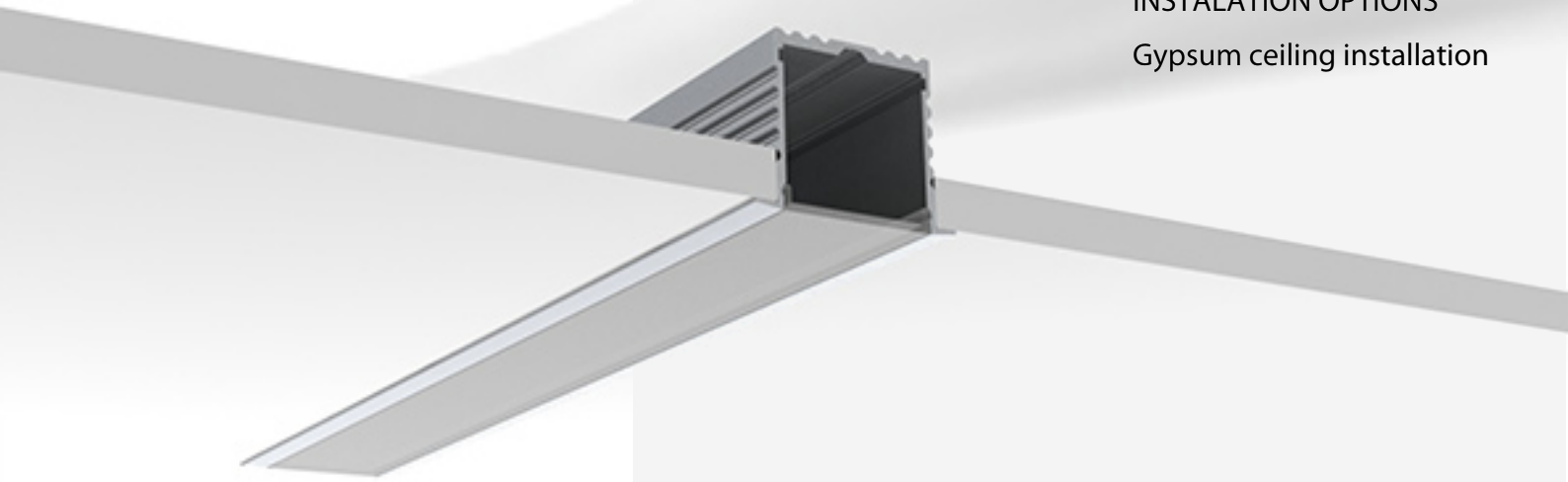


OPTION 2. W/OUT FIRE RESTRICTIONS

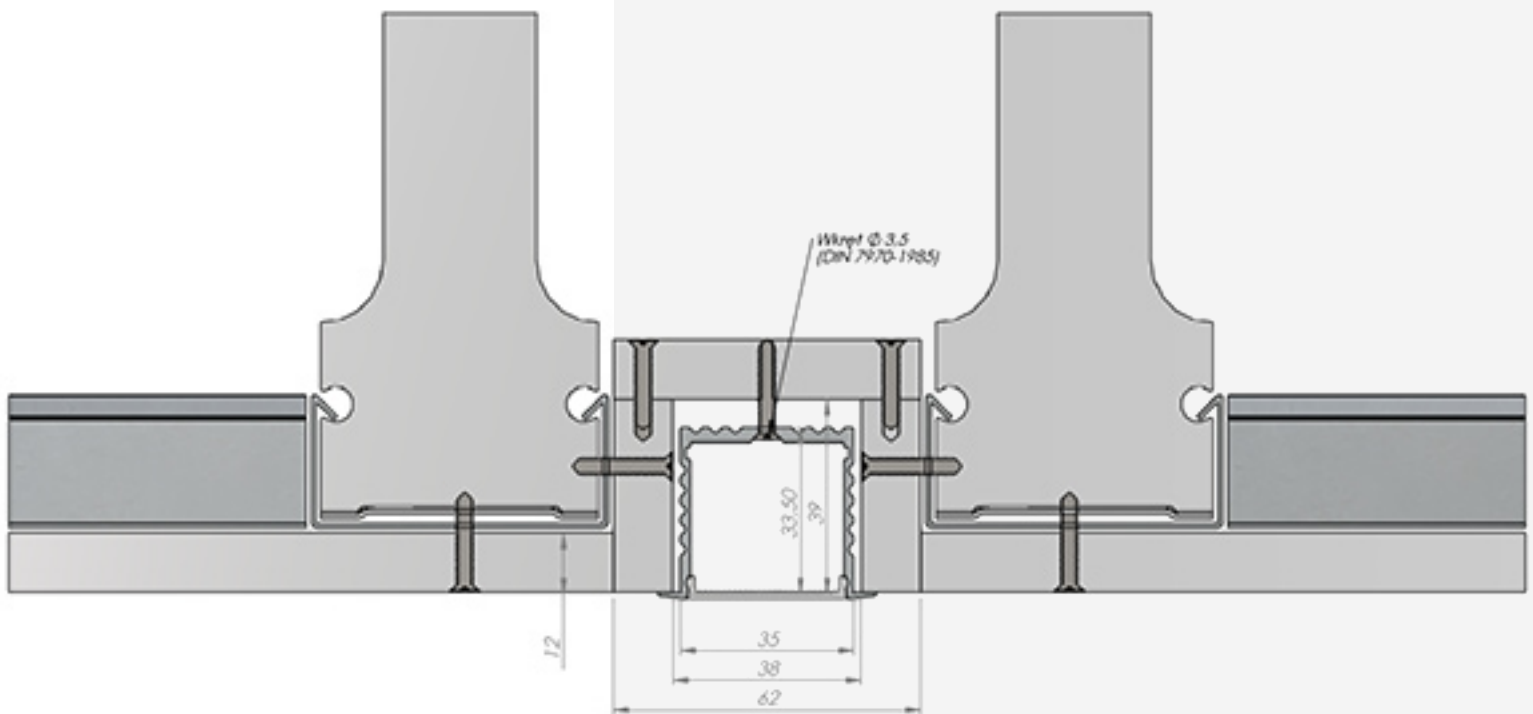


RECESSED POWER LINE 35
INSTALATION OPTIONS

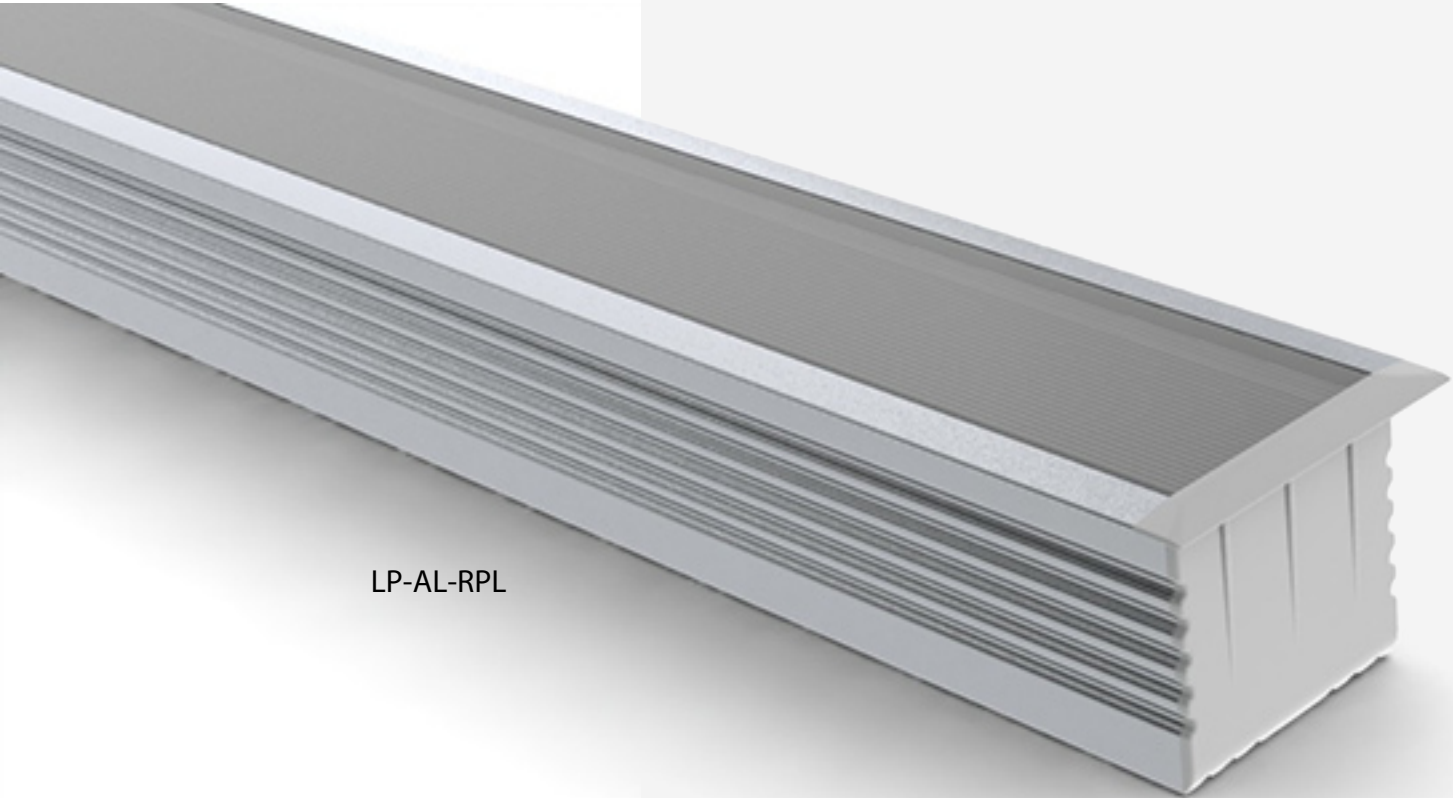
Gypsum ceiling installation



OPTION 3. WITH FIRE RESTRICTIONS



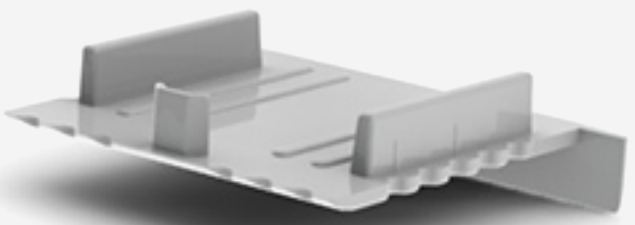
RECESSED POWER LINE 35
ACCESSORIES



LP-AL-RPL

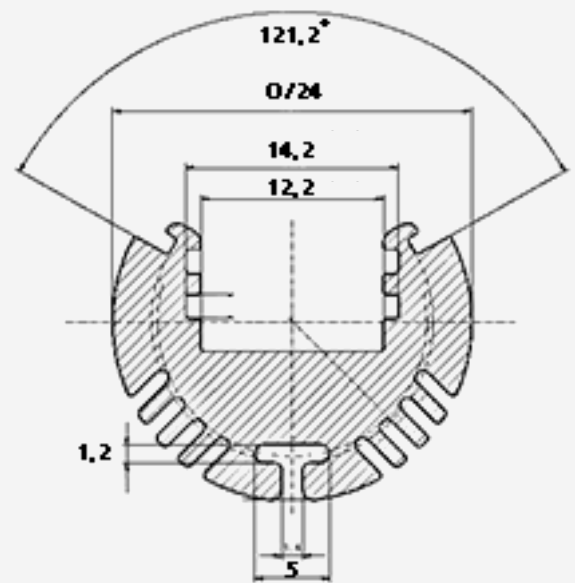


LP-EC-RPL1



END CAP

ALU-ROUND

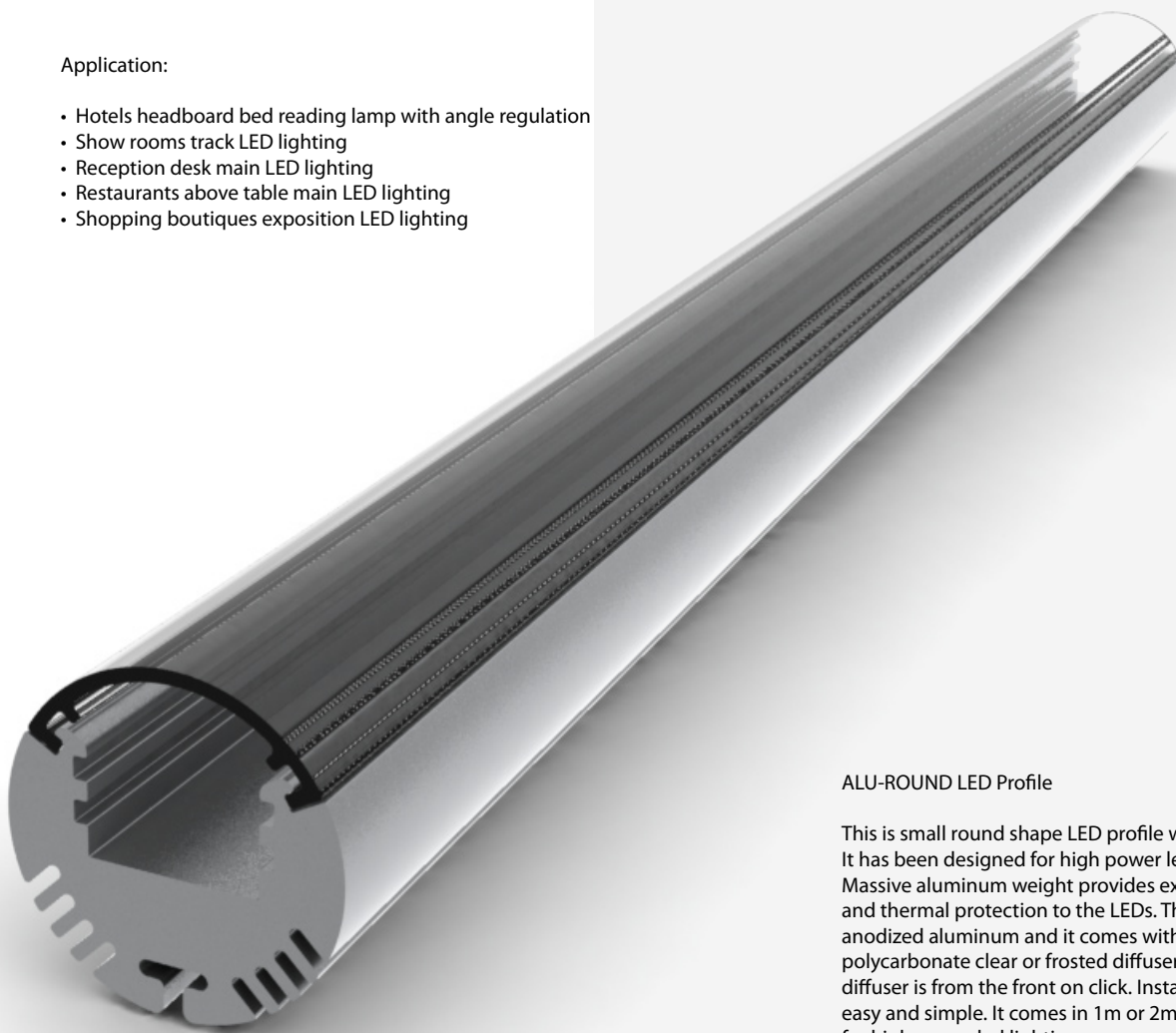


Features:

- High quality round shape polycarbonate diffuser
- Diffuser is placed/removed from the top on click
- High quality anodized aluminum base
- Heavy duty "heat sink" for high power LEDs
- Compatible with up to 12mm wide high power LED bars
- Available finish end cups and mounting system with angle regulation
- Two different installation options (wall or suspended)
- Available in length of 2m/1m with clear or frosted diffuser

Application:

- Hotels headboard bed reading lamp with angle regulation
- Show rooms track LED lighting
- Reception desk main LED lighting
- Restaurants above table main LED lighting
- Shopping boutiques exposition LED lighting



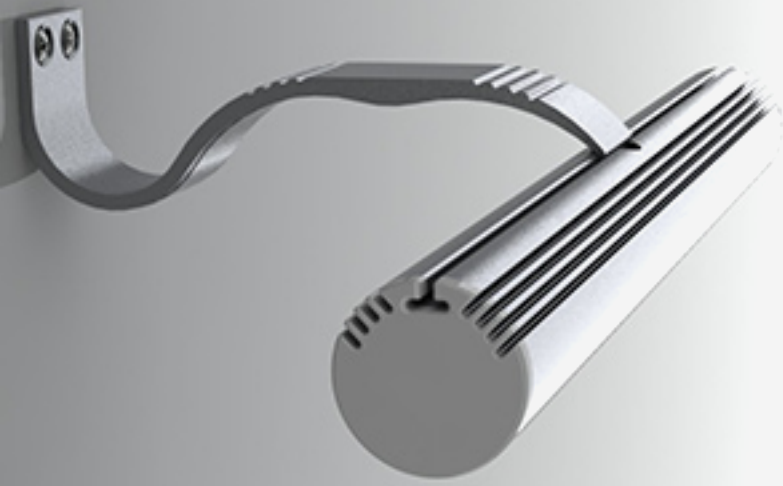
ALU-ROUND LED Profile

This is small round shape LED profile with round diffuser. It has been designed for high power led lighting. Massive aluminum weight provides excellent mechanical and thermal protection to the LEDs. The profile is made from anodized aluminum and it comes with round UV resistant polycarbonate clear or frosted diffuser. The installation of the diffuser is from the front on click. Installation and removing is easy and simple. It comes in 1m or 2m sections and is suitable for high power led lighting.

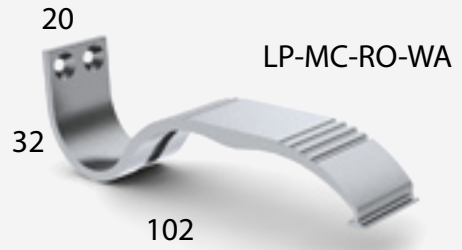
The ALU-ROUND can be installed in the wardrobe or closet as the clothes rod led lighting, in the jewelry cases, refrigerated cabinets at the grocery store and other places.

ALU-ROUND ACCESSORIES

coming up NEW



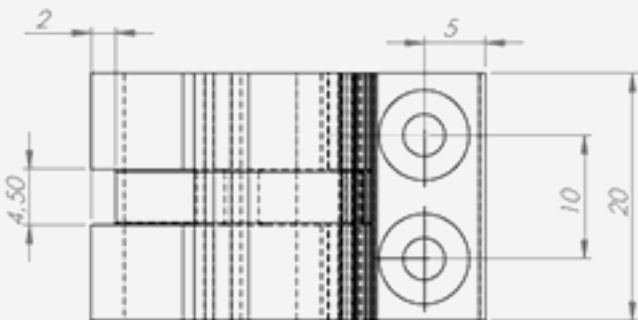
Wall-Arm



This is specially dedicated wall arm for the Alu-Round Led profile. The special material will draw behind the profile is allowing us to slide in the arm and hold firmly in place the LED fixture.

The power feeding cable was transferred to the profile thru the wall arm the best possible way.

The profile now can be installed at any place on the wall lighting up the wall or some objects standing next to. The design of the wall arm is matching with the design of the Alu-Round profile.

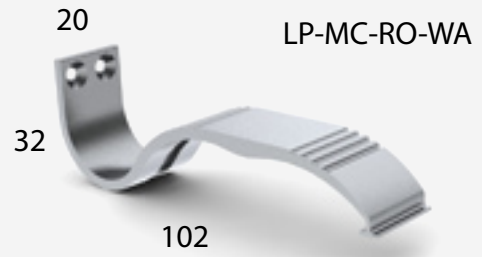
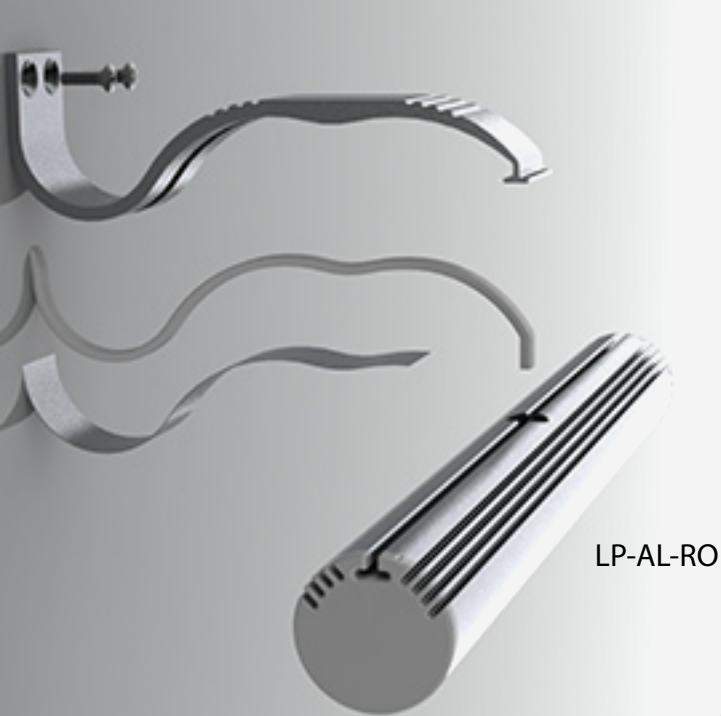


profiles
for the led lighting

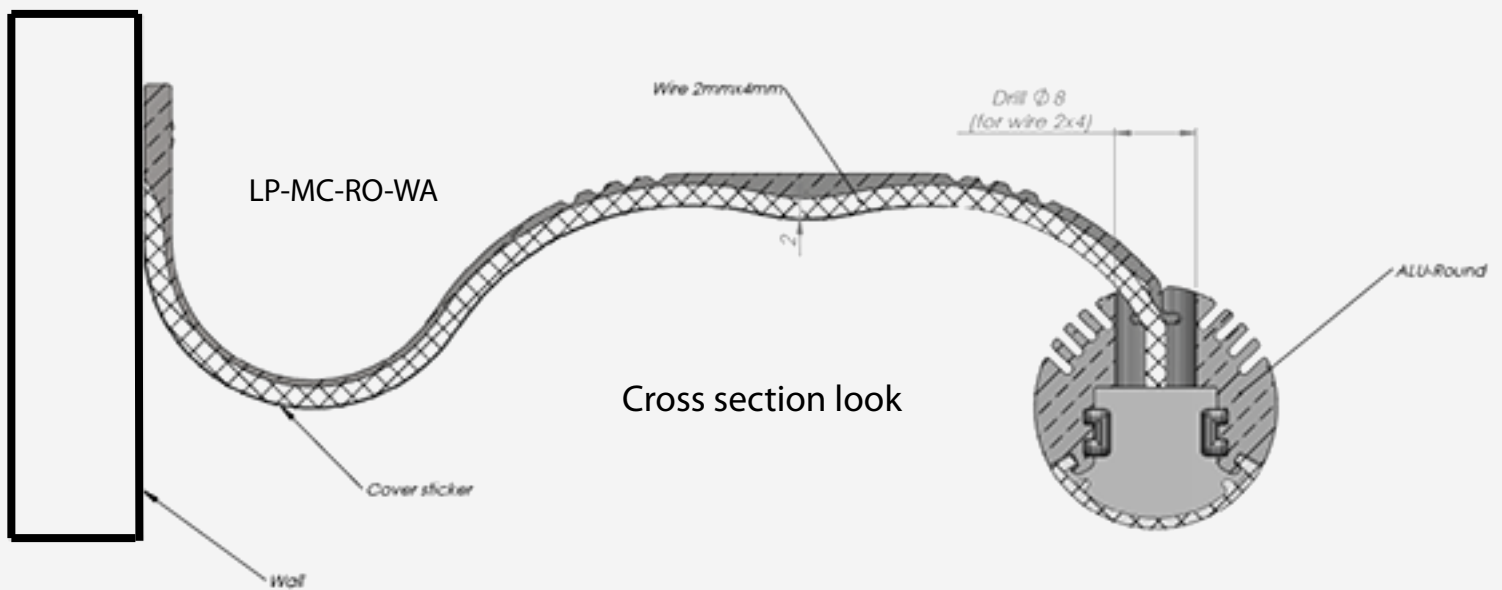
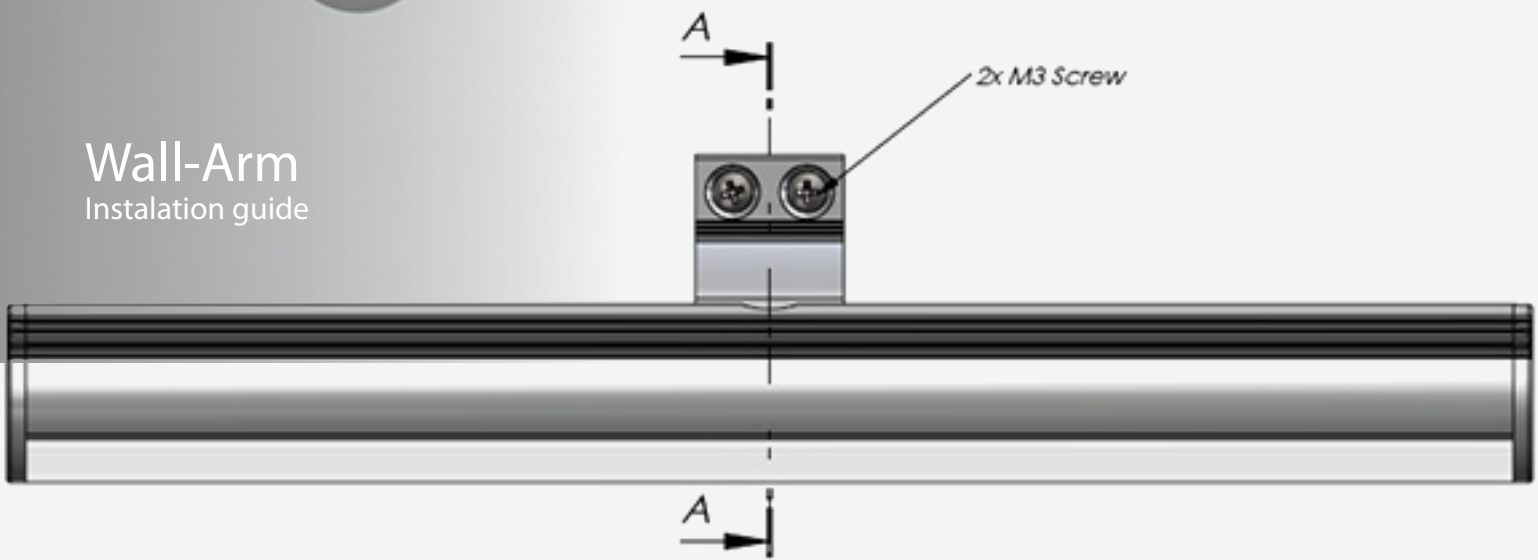


ALU-ROUND ACCESSORIES

coming up NEW



Wall-Arm Installation guide





AL-EC-RO-AA

Art Lighting Arm

Art Lighting Arm

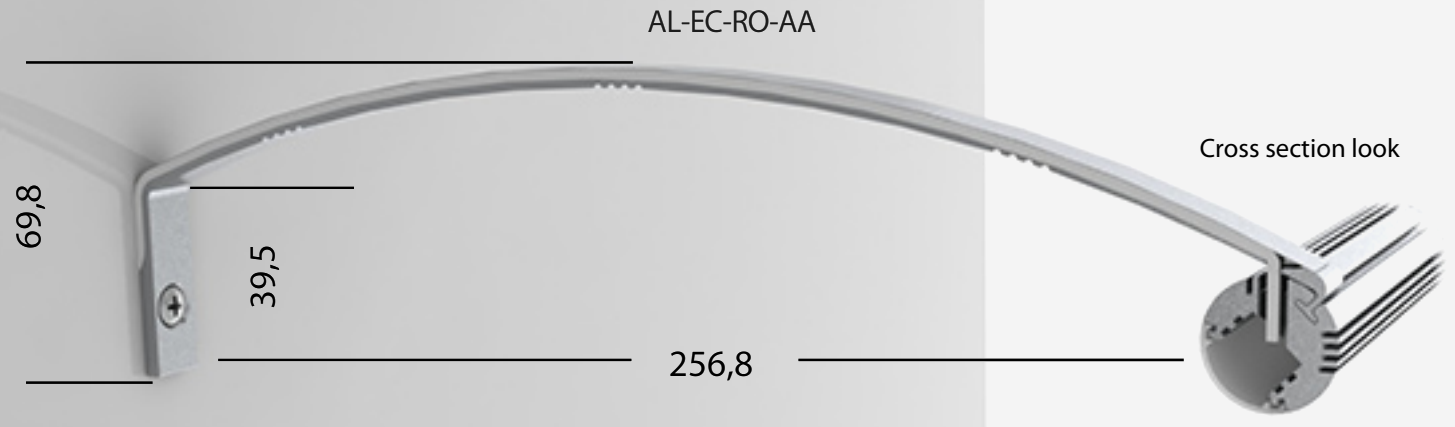
The main purpose for this arm is lighting from down or from above the objects such as art work, gallery, jewelry etc.

The light emitted by leds is directed in 45 degree angle

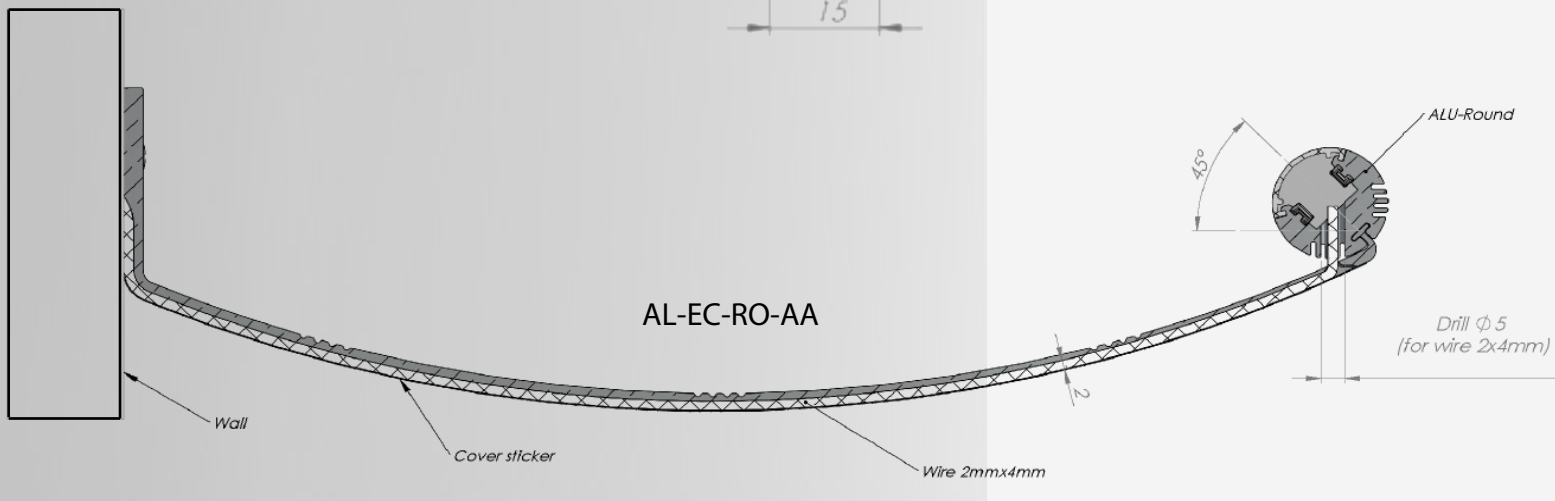
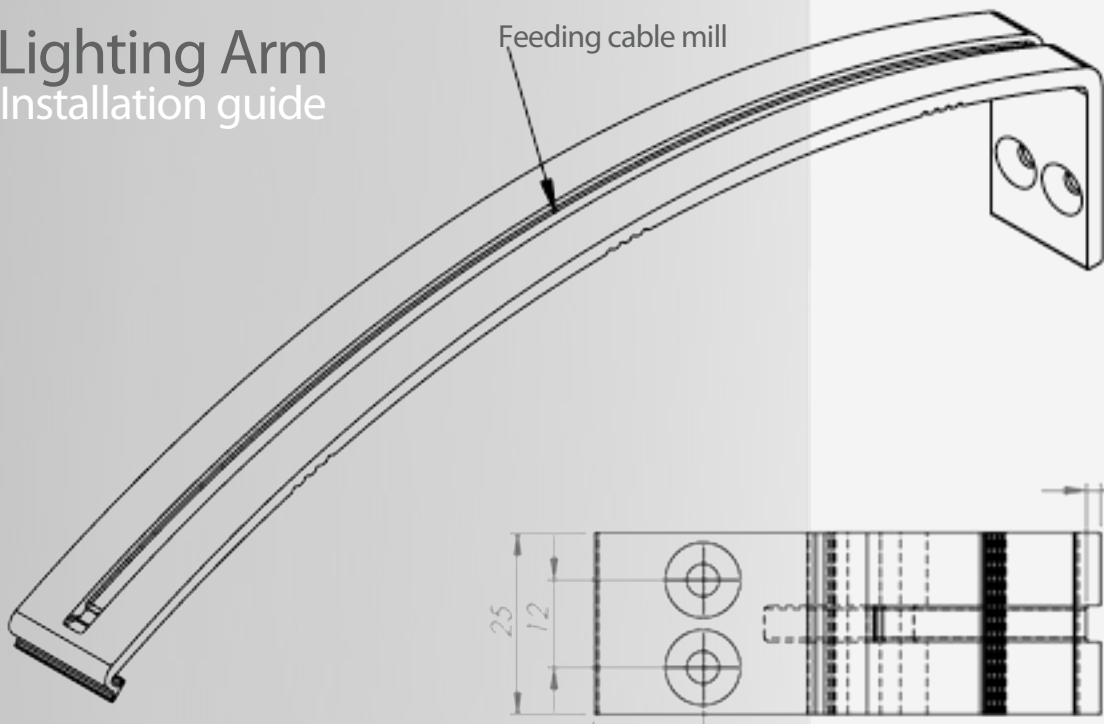
The arm is matching perfectly with the Alu-Round led profile.

The feeding cable is hidden in the arm and can be cover by the sticky aluminum imitating tape



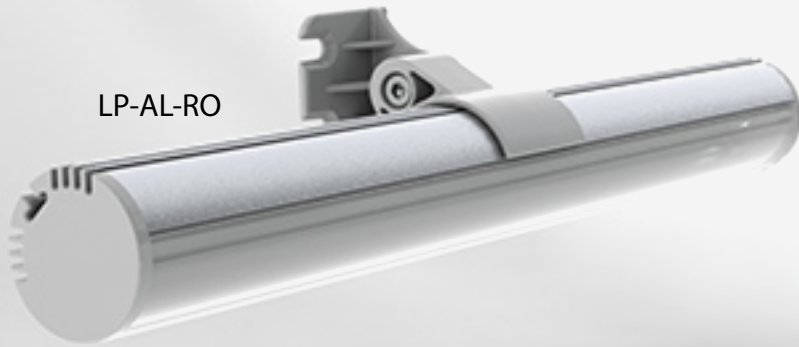


Art Lighting Arm
Installation guide



ALU-ROUND ACCESSORIES

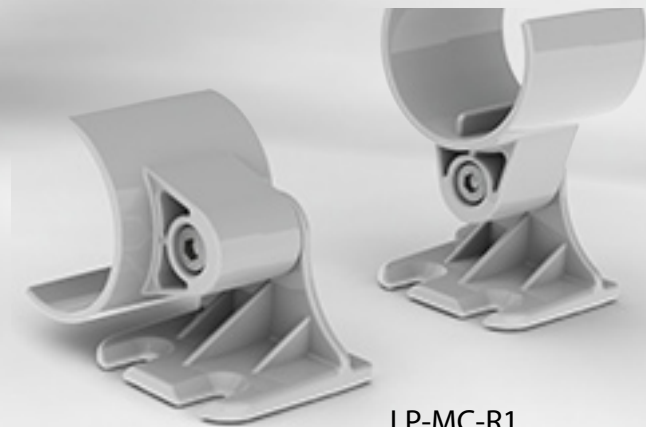
Fluent lighting angle regulation from 0-180 degree with the mounting clip LP-MC-R1



LP-EC-R2



LP-EC-R1

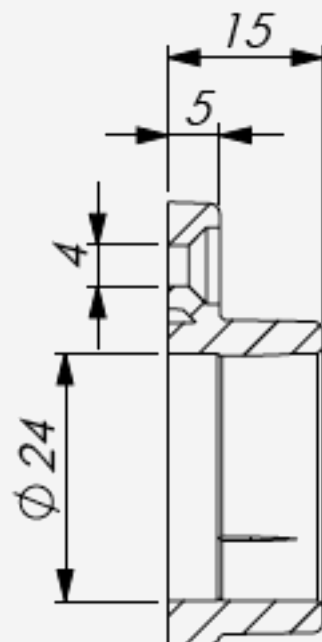
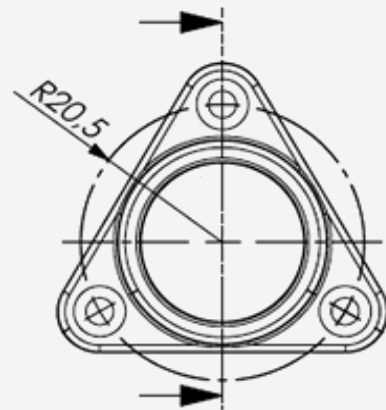


LP-MC-R1



ALU-ROUND ACCESSORIES

Closet bracket for Alu-Round led profile

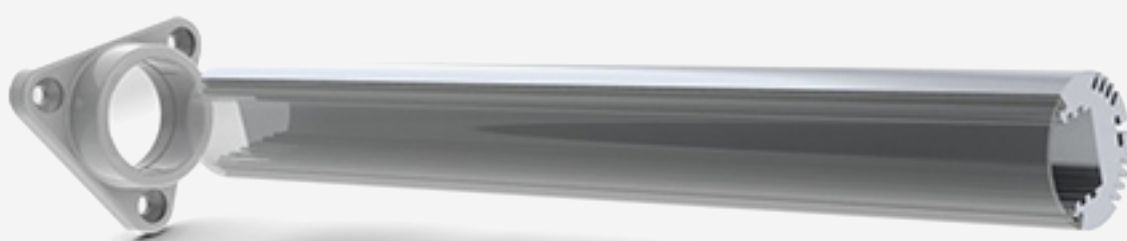


Wall to wall closet led rod (Alu-Round) installation



LP-MC-R2
Closet bracket

Closet brackets are made from special material which do not brake during the screwing or heavy load



LP-AL-RO



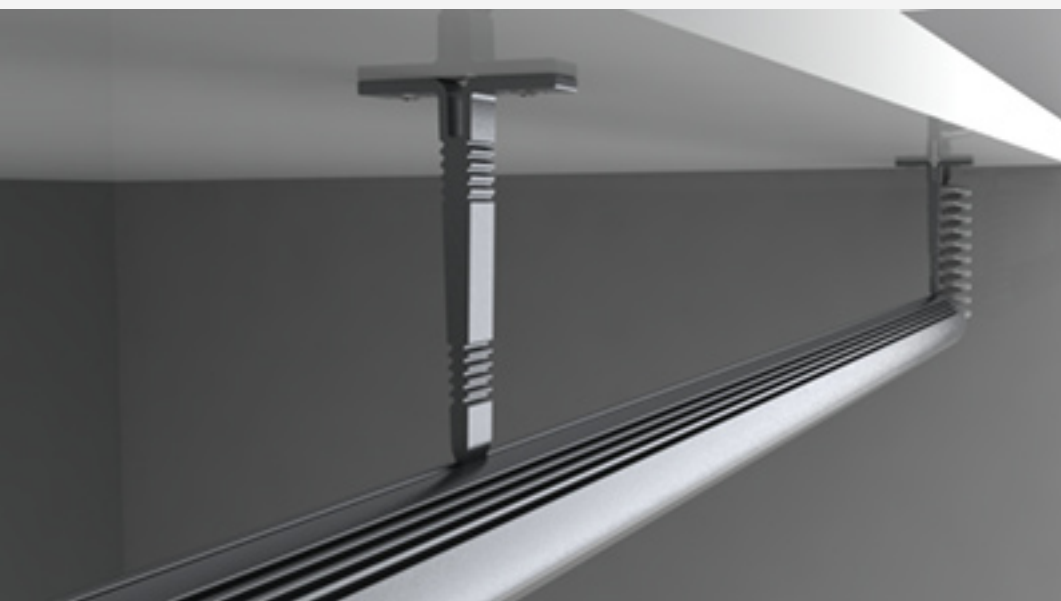
LP-MC-R2

ALU-ROUND ACCESSORIES

Intermediate support arm for Alu-Round led profile for closet mount



Stem mount of 1m led profile (Alu-Round) at the closet



Stem mount type of led profile (Alu-Round) at the closet with intermediate support arm



End mount type - 2m of led profile Alu-Round at the closet with closet brackets and intermediate support arm



End mount type
1m of led profile (Alu-Round)
at the closet with closet brackets
and intermediate support arm



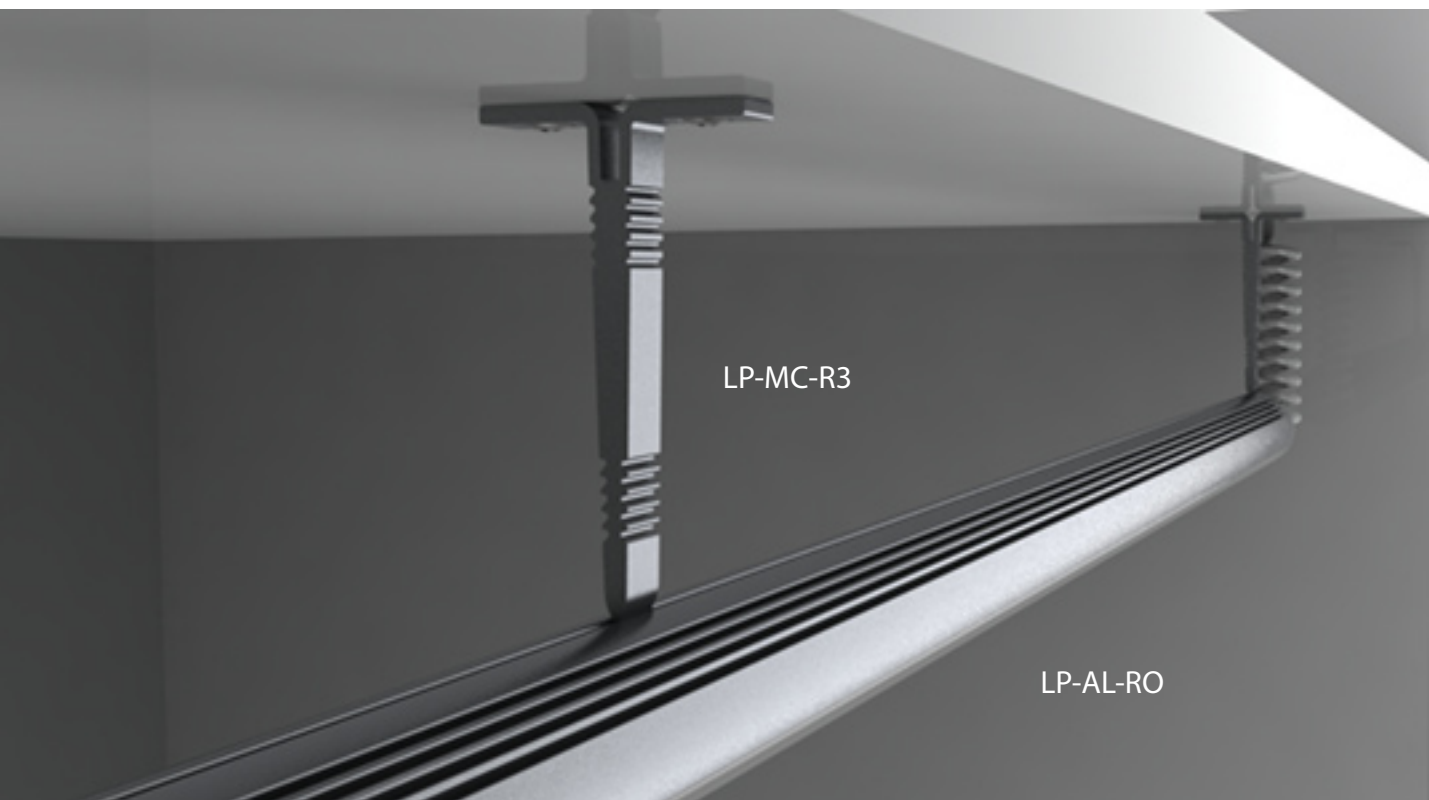
Alu-Round
intermediate support arm
LP-MC-R3

ALU-ROUND ACCESSORIES

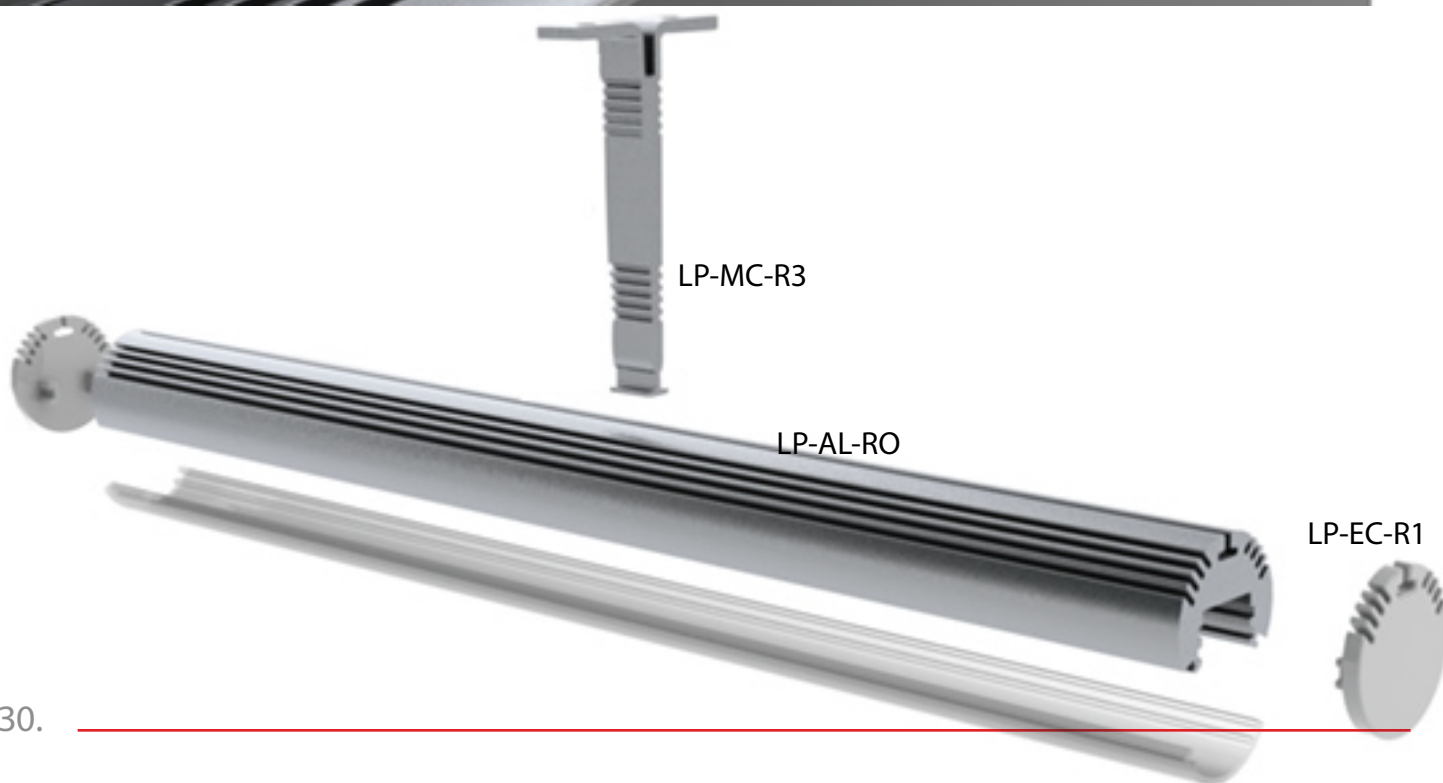
Intermediate support arm for Alu-Round led profile for closet mount

profiles
for the led lighting

Stem Mount



Maximum capability of weight handling per one arm is 25kg

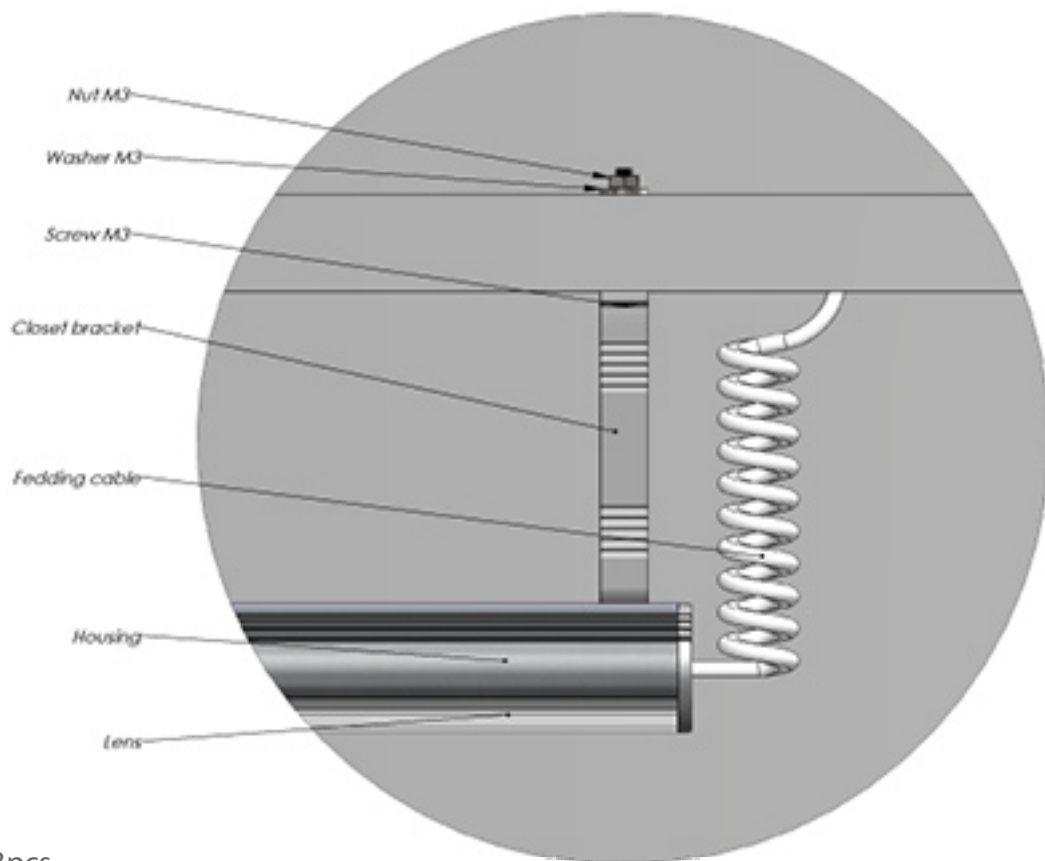


ALU-ROUND ACCESSORIES

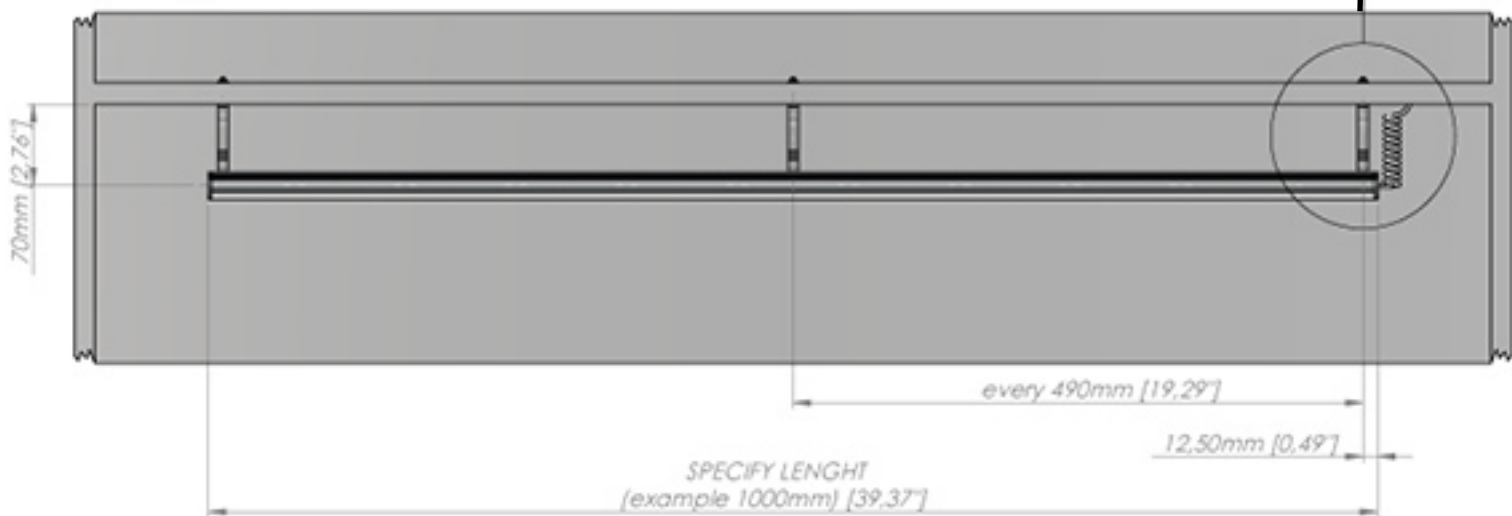
Intermediate support arm for Alu-Round led profile for closet mount

NEW
Patented

Stem Mount



Intermediate supports
Length : 100cm/39,4" - 3pcs
200cm/78,8" - 5pcs



profiles
for the led lighting

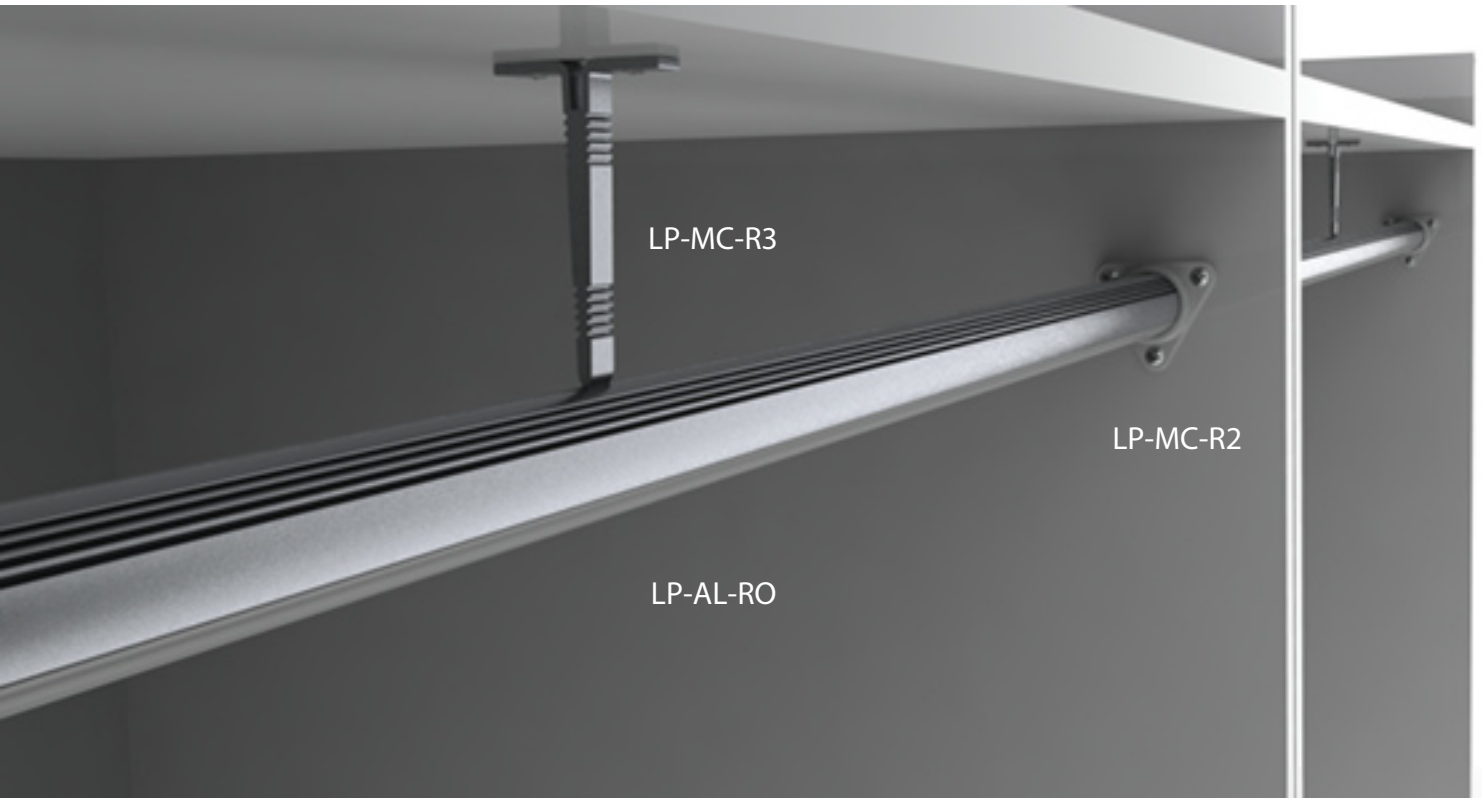
ALU-ROUND ACCESSORIES

Intermediate support arm for Alu-Round led profile for closet mount

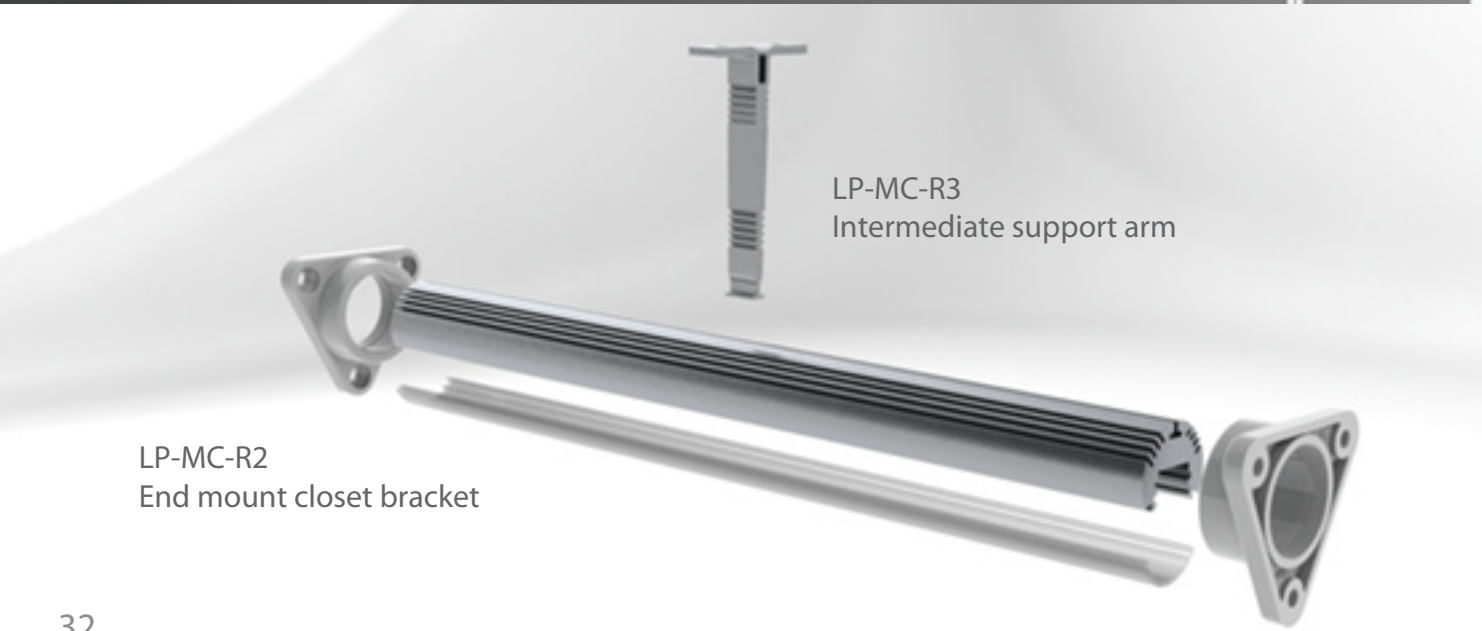
profiles
for the led lighting

End Mount

NEW
Patented



Maximum capability of weight handling per one arm is 25kg



ALU-ROUND ACCESSORIES

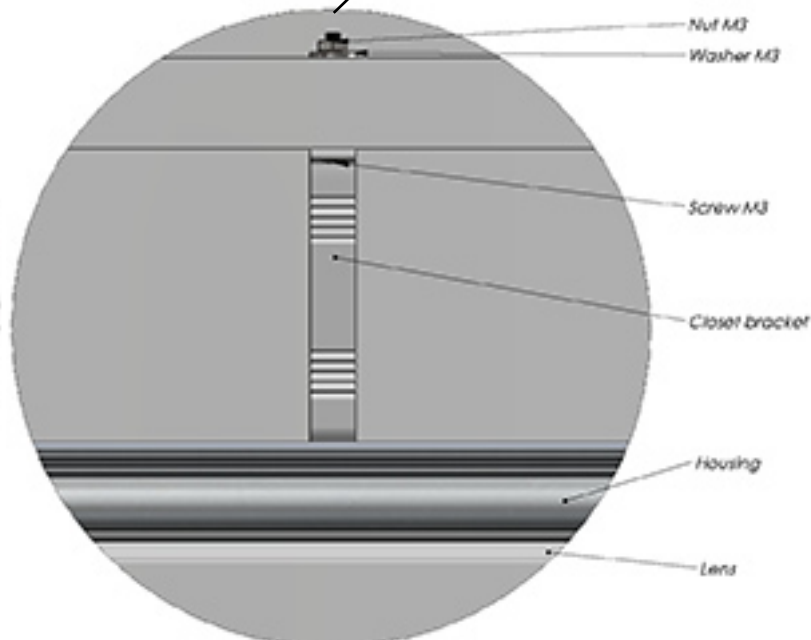
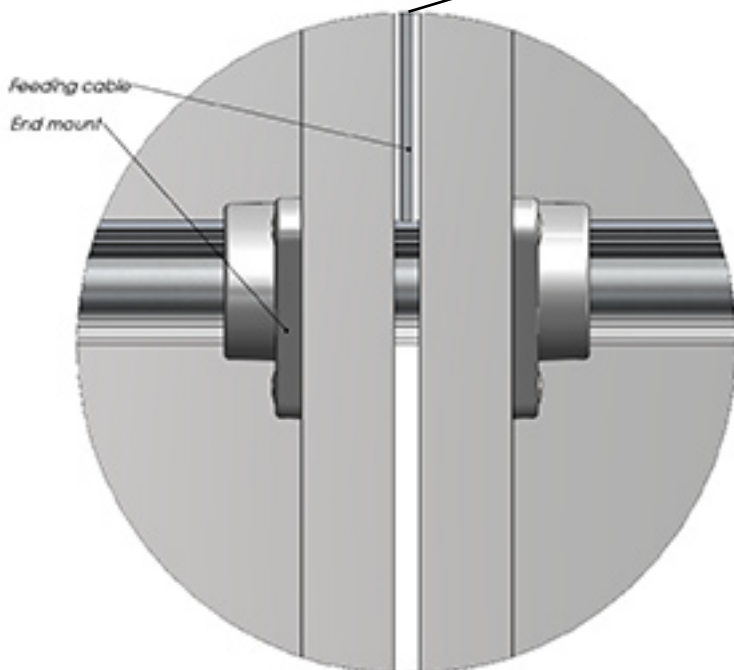
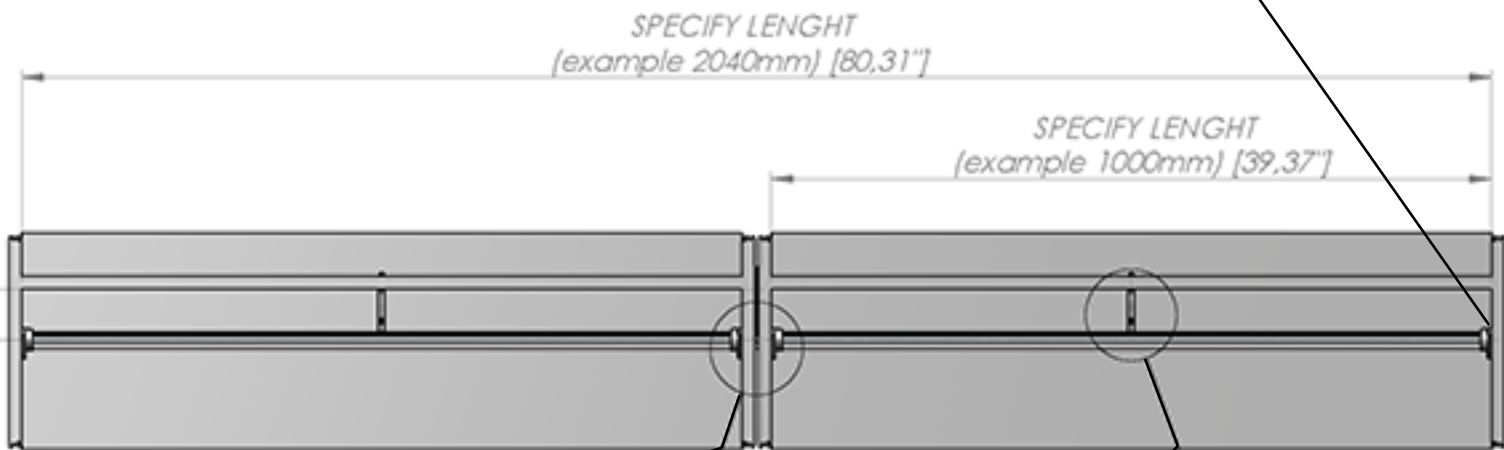
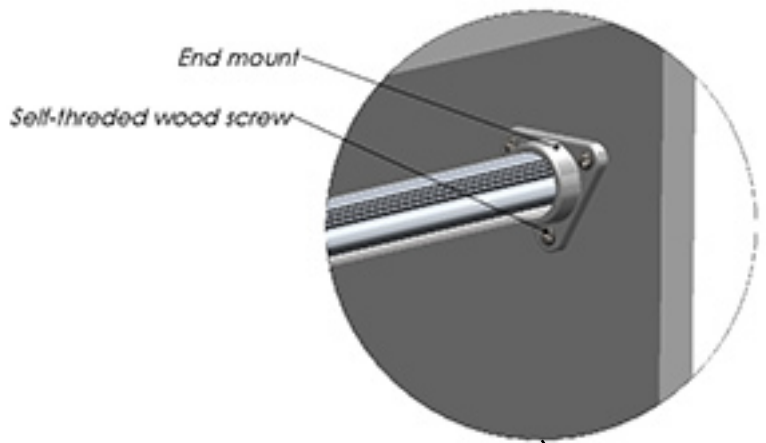
Intermediate support arm for Alu-Round led profile for closet mount

End Mount

Intermediate supports

Length : 100cm/39,4" - 1 pcs

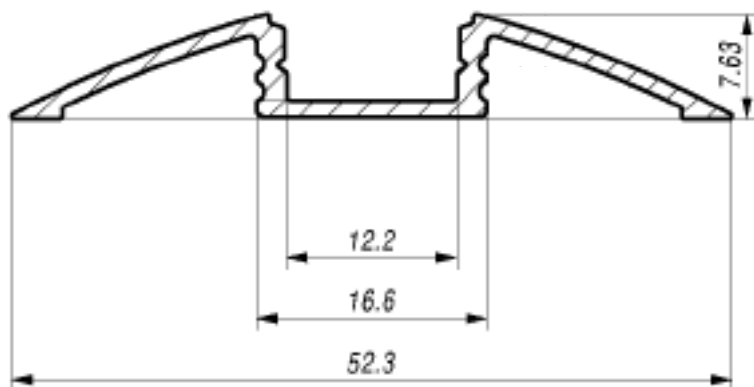
200cm/78,8" - 2 pcs



profiles
for the led lighting

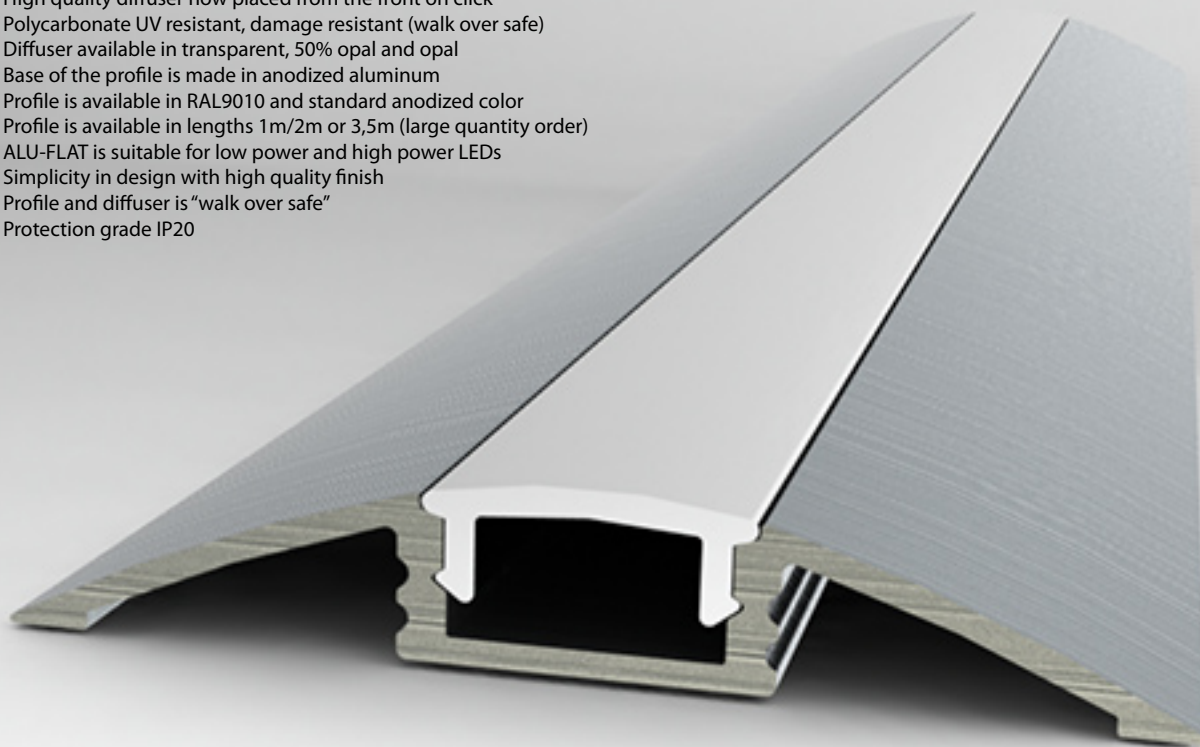
ALU-FLAT

Anodized / RAL9010



Features :

- High quality diffuser now placed from the front on click
- Polycarbonate UV resistant, damage resistant (walk over safe)
- Diffuser available in transparent, 50% opal and opal
- Base of the profile is made in anodized aluminum
- Profile is available in RAL9010 and standard anodized color
- Profile is available in lengths 1m/2m or 3,5m (large quantity order)
- ALU-FLAT is suitable for low power and high power LEDs
- Simplicity in design with high quality finish
- Profile and diffuser is "walk over safe"
- Protection grade IP20



Applications:

- Under kitchen cabinets LED lighting
- Stores shelves LED lighting
- Floor LED lighting
- Storage shelves LED lighting
- Exhibition boot LED lighting
- Interior LED lighting

ALU-FLAT LED Profile

Aluminum LED profile only 7,6mm. The aluminum profile walls thickness and the damage resistant diffuser allow you to walk over this profile. It has been positively tested and is "walk over" safe. The profile is available in anodized version of aluminum and RAL9010. Profile comes with polycarbonate UV resistant, damage resistant diffuser, which now is placed, into the profile from front for click. The customer has choice of use transparent, 50% frosted and frosted diffuser. Profile provides mechanical and thermal protection (heat sink) to the LEDs and is suitable for high power LED lighting. The profile has many different applications it can works as under store shelves independent LED lamp or can be installed on the floor to cover the connection and provide additional protection for the computer cables.

profiles
for the led lighting

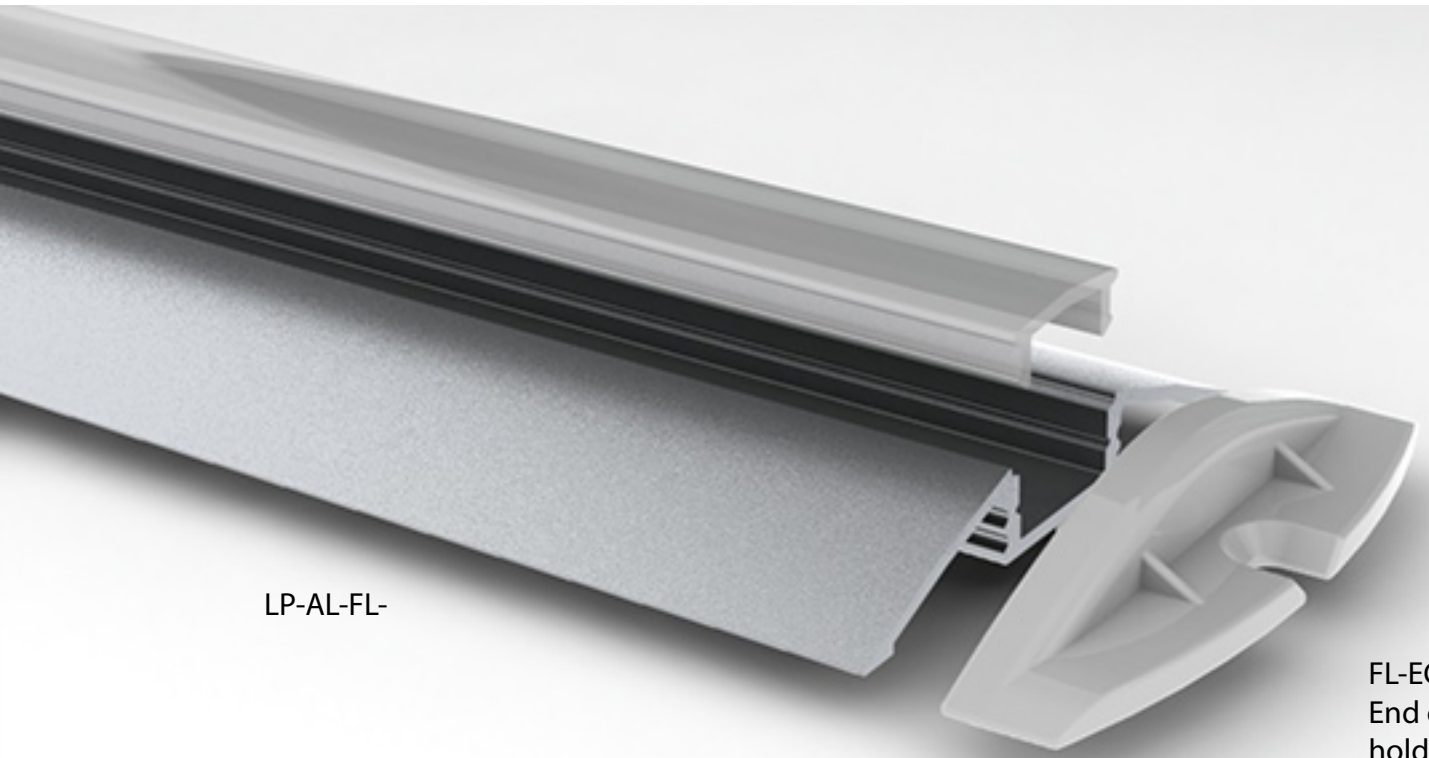
ALU-FLAT ACCESSORIES

Anodized

RAL9010

Applications:

- Under kitchen cabinets LED lighting
- Stores shelves LED lighting
- Floor LED lighting
- Storage shelves LED lighting
- Exhibition booth LED lighting
- Interior LED lighting



LP-AL-FL-

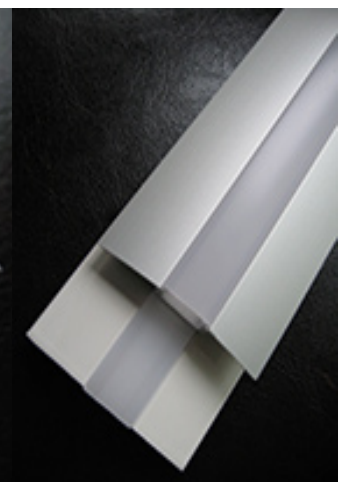
FL-EC-FL2
End cap with
holding ear



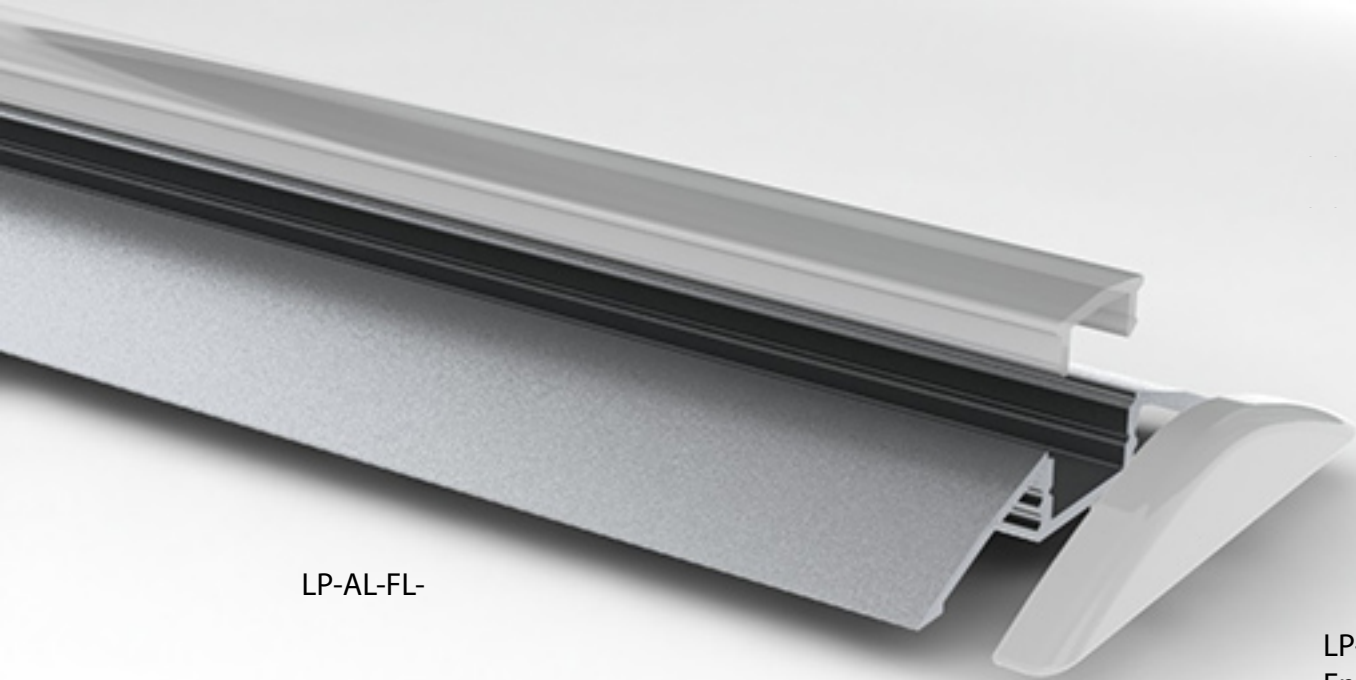
Anodized



RAL9010



profiles
for the led lighting



LP-AL-FL-

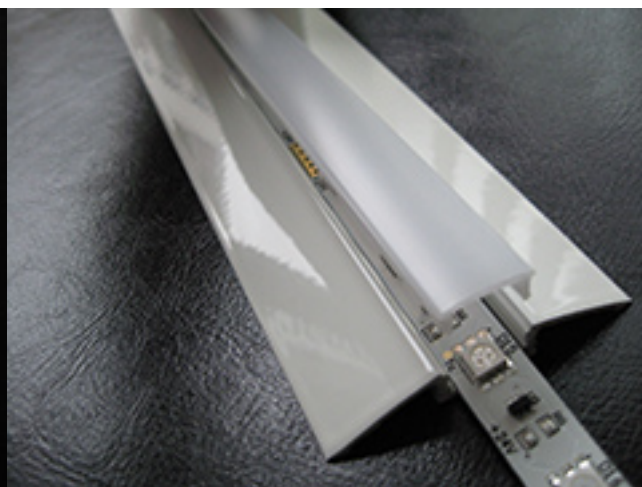
LP-EC-FL1
End cap without
holding ear

ALU-FLAT ACCESSORIES



LP-EC-FL1

NEW
Patented

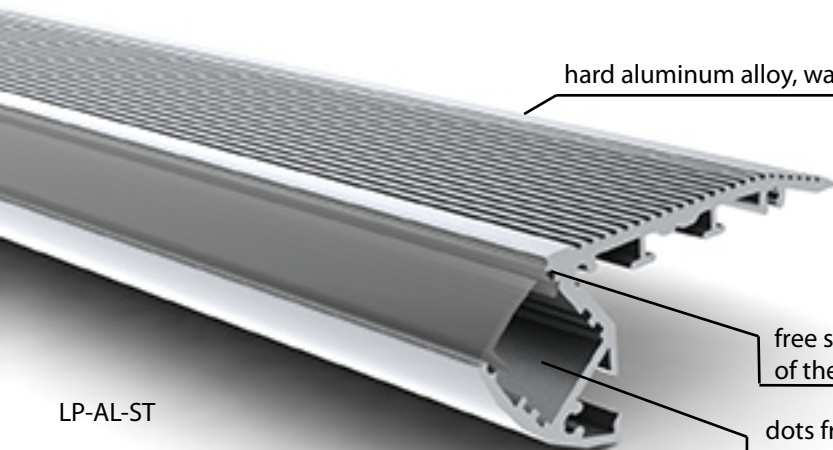
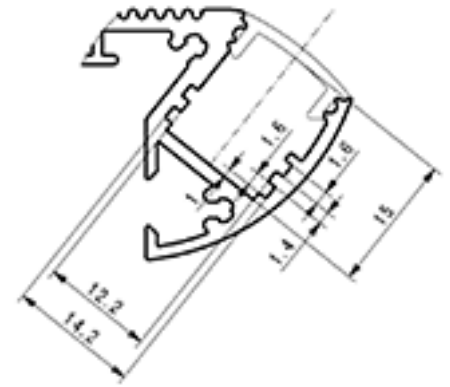
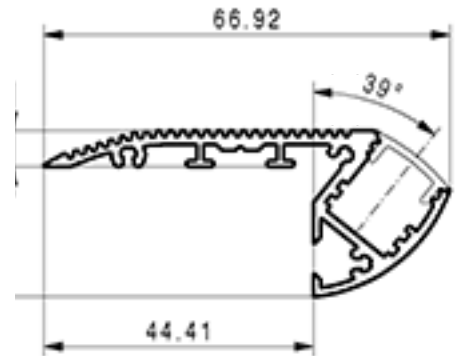


profiles
for the led lighting

ALU-STAIR

stair installed led profile

Anodized silver
Patented Design



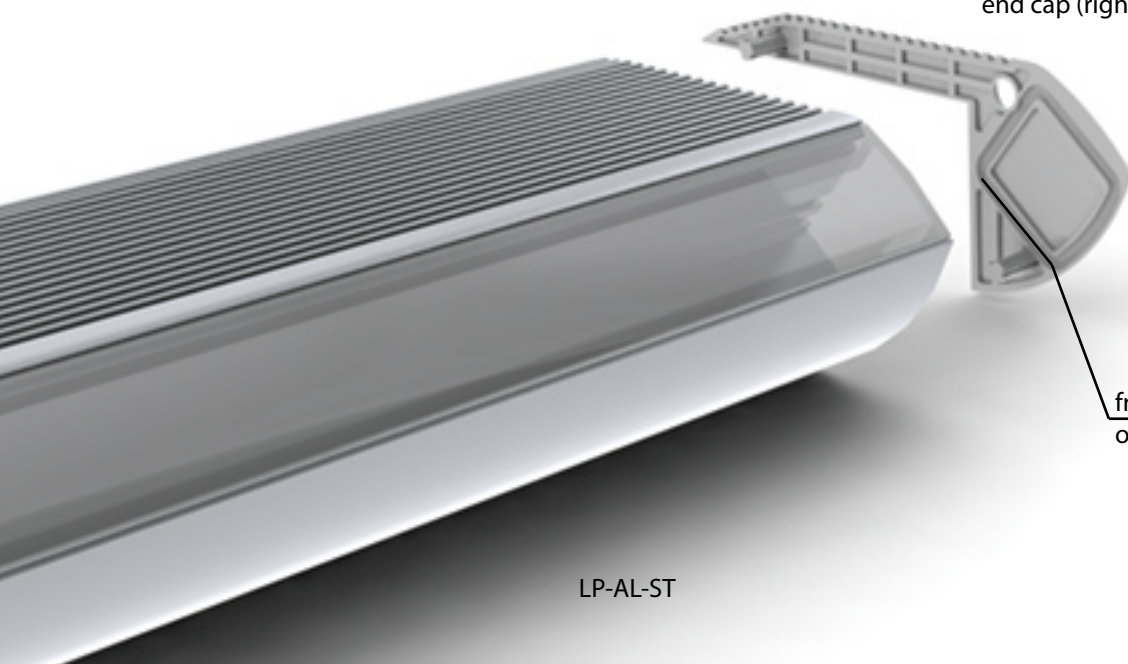
hard aluminum alloy, ware out resistant

free space for silicone insulation of the led chamber (option)

dots free led profile (frosted)
12,2mm wide led chamber

LP-AL-ST

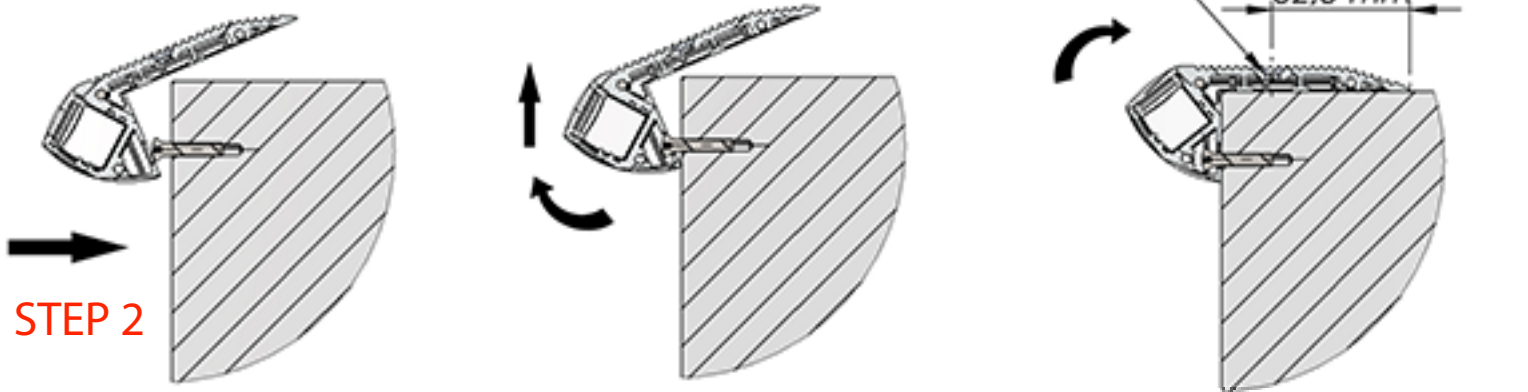
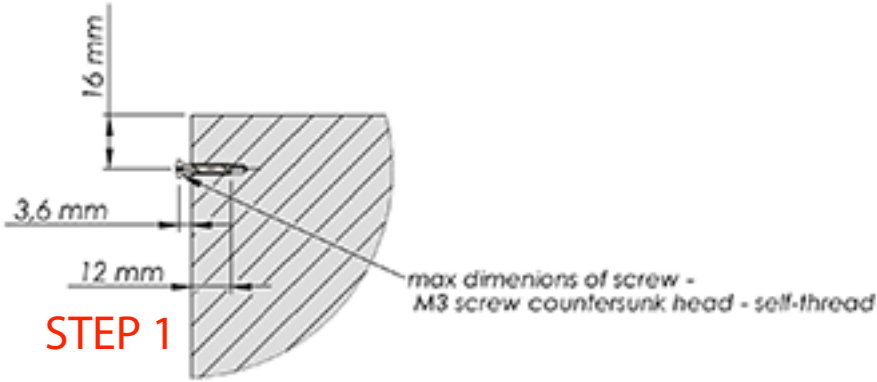
LP-EC-SR
end cap (right)



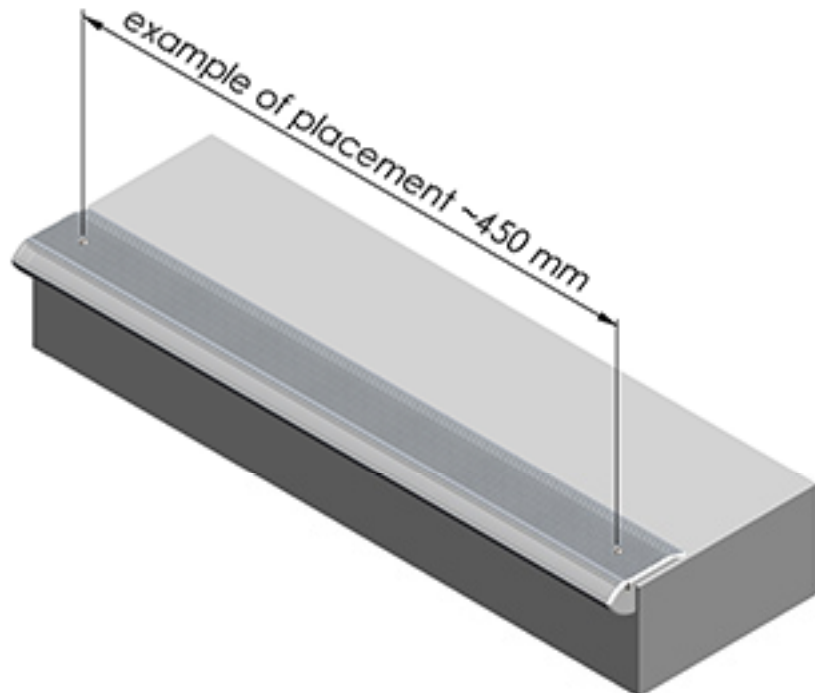
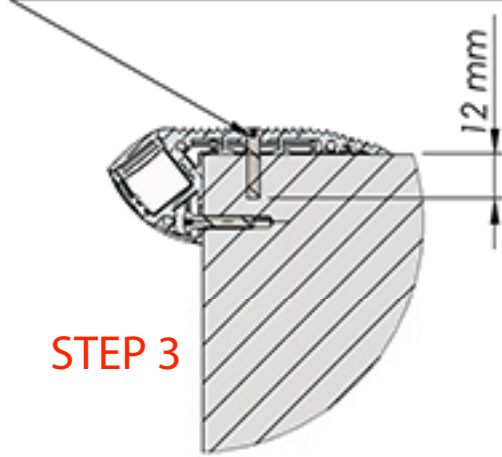
free space for silicone insulation of the led chamber (option)

LP-AL-ST

profiles
for the led lighting



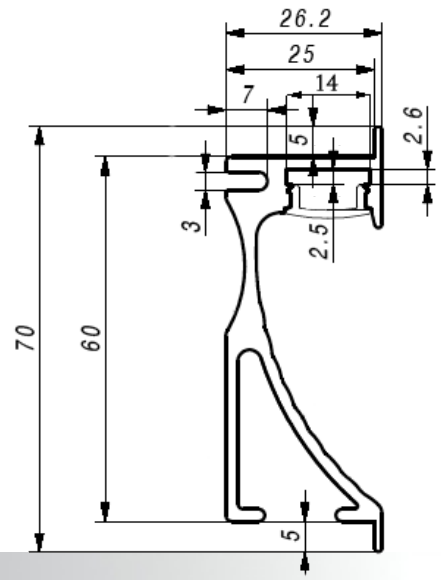
Countersunk head screw M3x16
- self thread



ALU-WALL

wall installed led profile
2m units only

Anodized silver & dark brown
Patented Design



LP-AL-WL

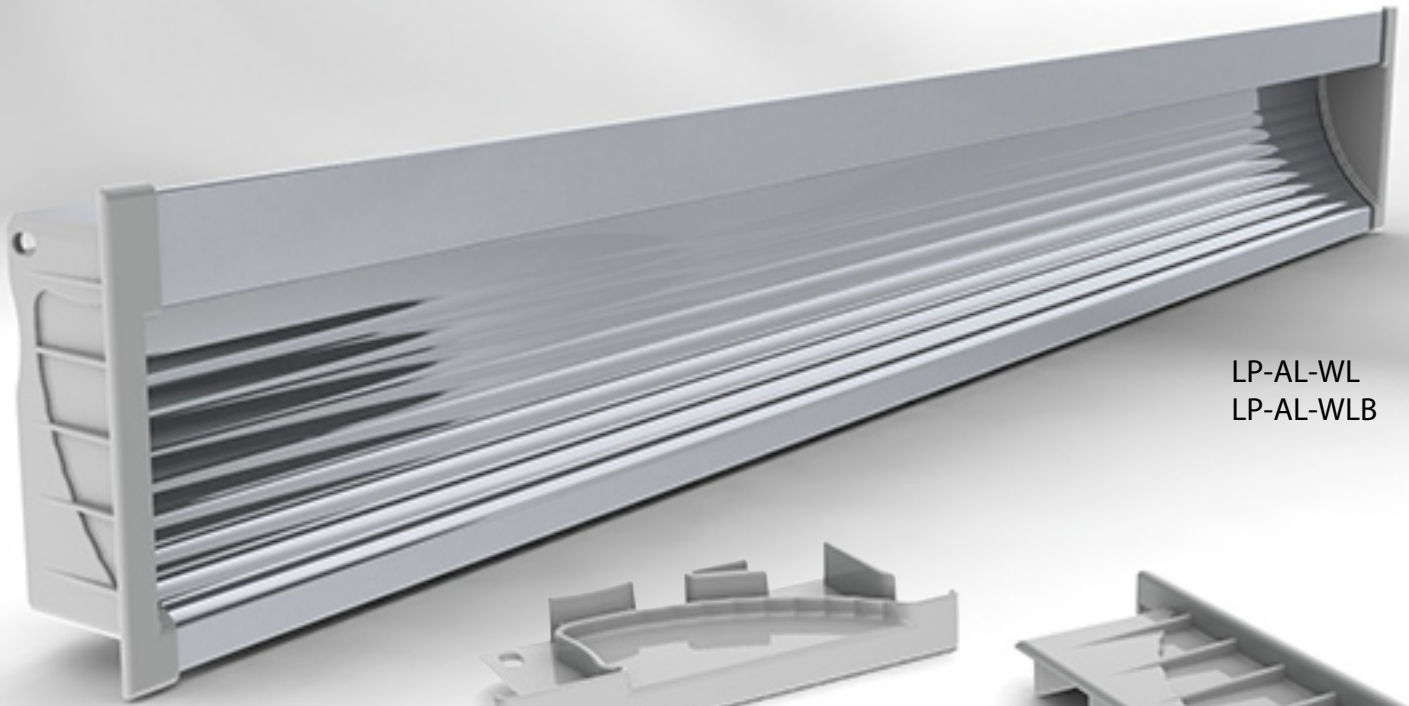
profiles
for the led lighting

ALU-WALL
2m units only

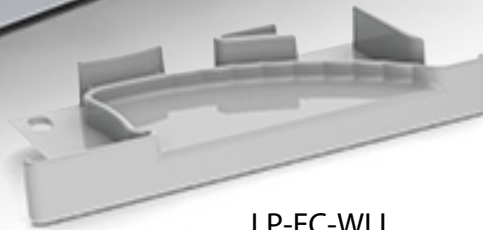
Anodized silver & dark brown
Patented Design

NEW

WALL-INSTALLED LED FIXTURE



LP-AL-WL
LP-AL-WLB



LP-EC-WLL



LP-EC-WLR



LP-EC-WLR

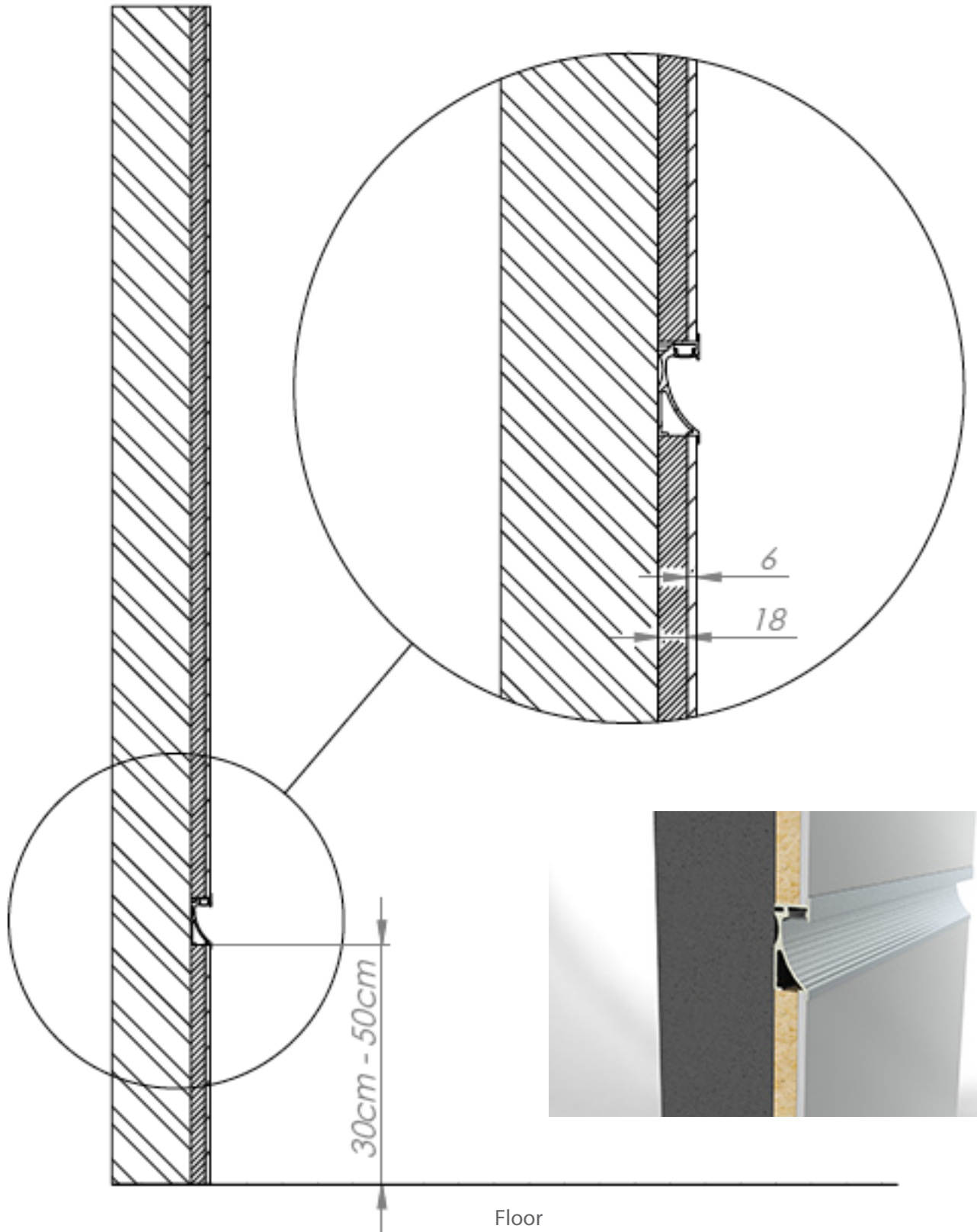
ALU-WALL LED PROFILE IS DEDICATED FOR THE FLOOR LED LIGHTING AND CEILING LED LIGHTING .

profiles
for the led lighting

ALU-WALL
2m units only

Anodized silver & dark brown
Patented Design

INSTALATION OPTION
No. 1



NEW

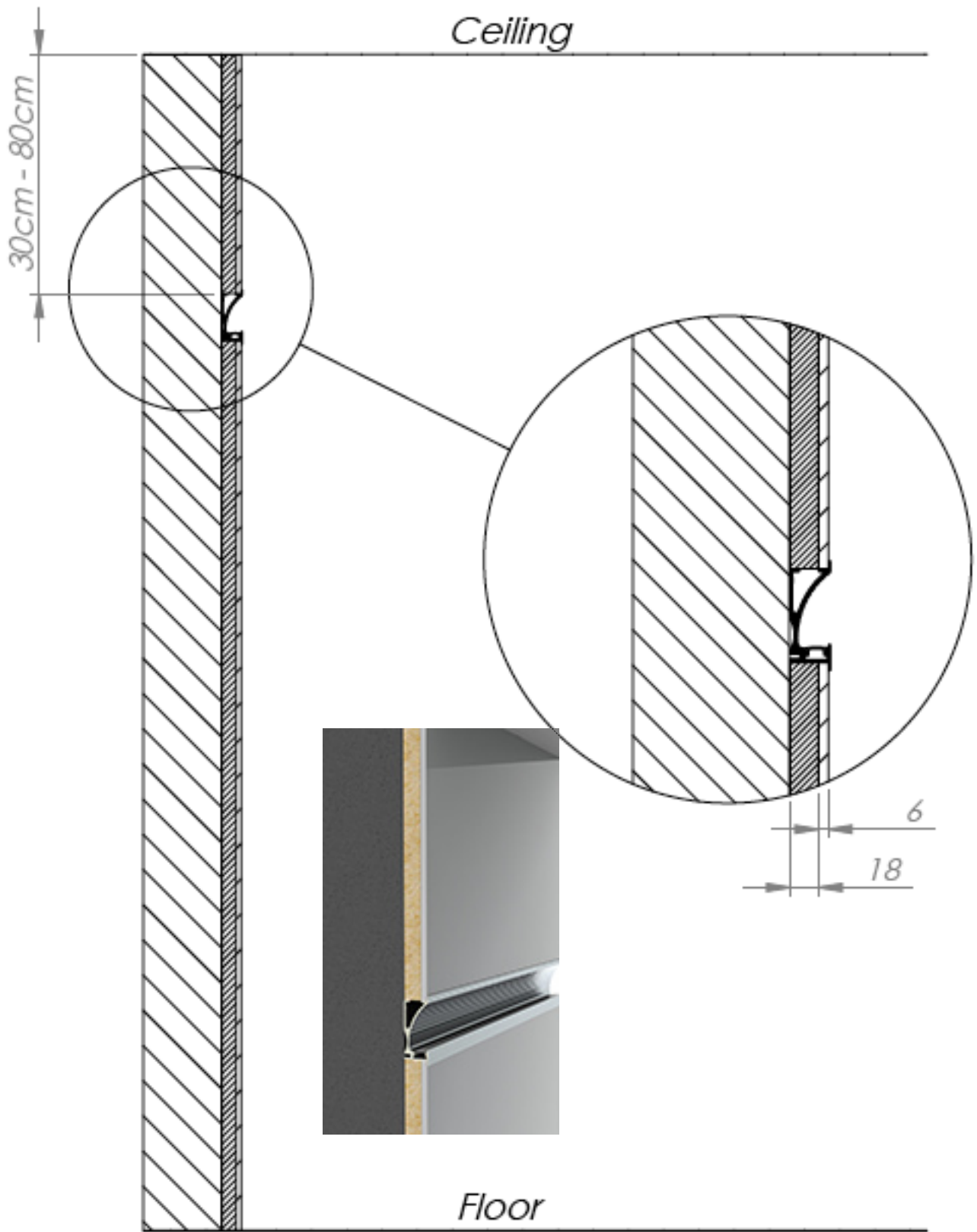
profiles
for the led lighting

ALU-WALL
2m units only

Anodized silver & dark brown
Patented Design

INSTALATION OPTION
No. 2

NEW



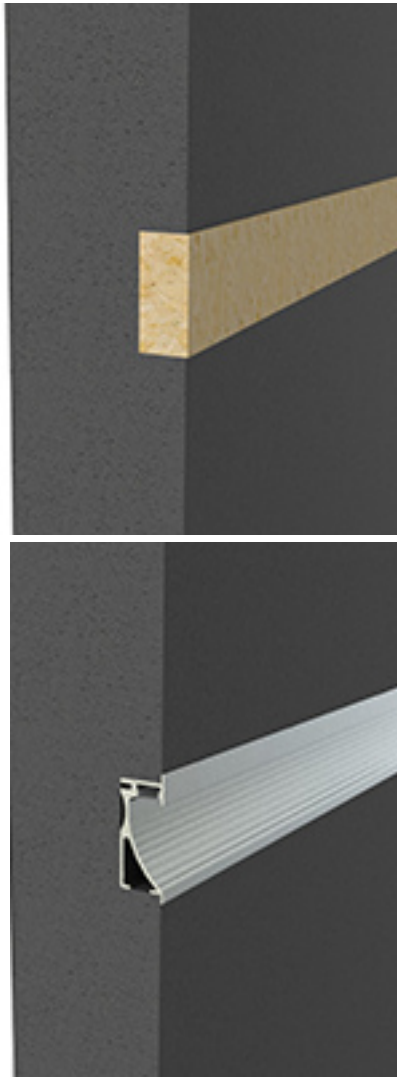
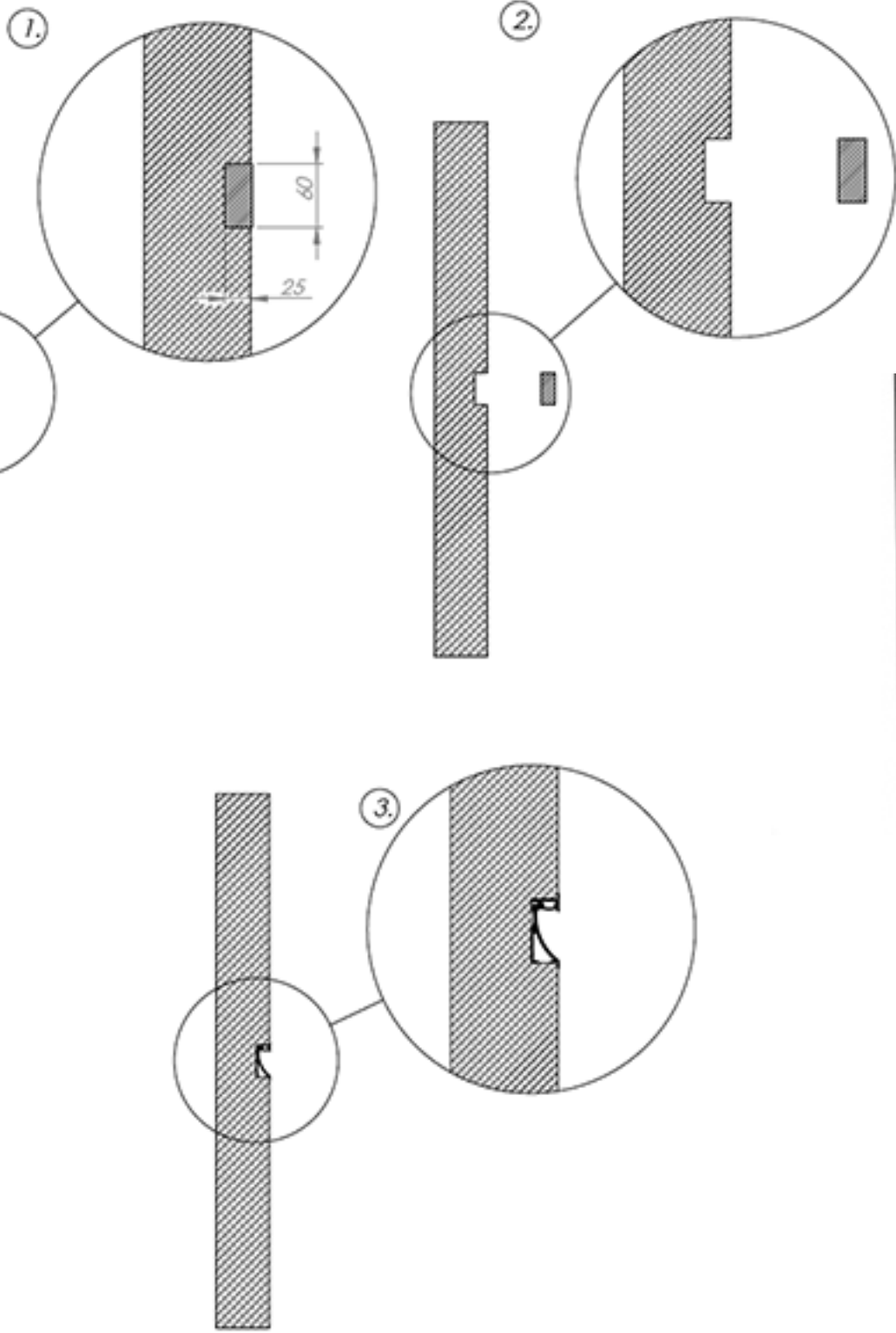
profiles
for the led lighting

ALU-WALL
2m units only

Anodized silver & dark brown
Patented Design

INSTALATION OPTION
No. 3

NEW



profiles
for the led lighting

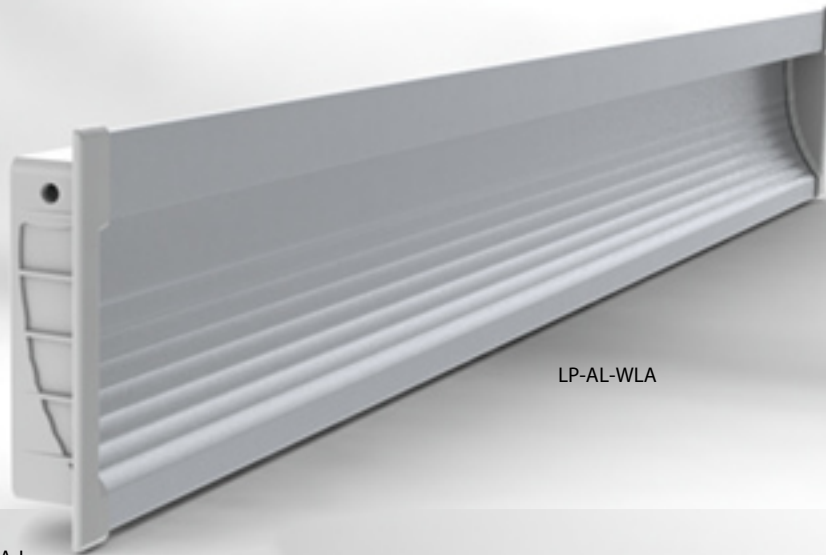
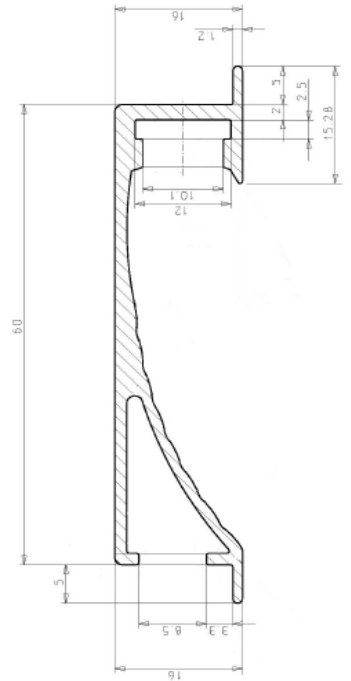
ALU-WALL-US

Patented Design

Anodized silver

for wooden walls structure installation
2m units only

Product is dedicated for build-in into the wood structure walls and direct the LED light on the floor.
The thickness of the profile is the same as the thickness of the standard wood plywood sheets used for wall construction at US or Canada.



LP-AL-WLA

LP-EC-WLA-R
end cap right

LP-EC-WLA-L
end cap left



End cap feeding cable hole is adapted for 1/8" pipe connector

LP-EC-WLA-L
end cap left

profiles
for the led lighting

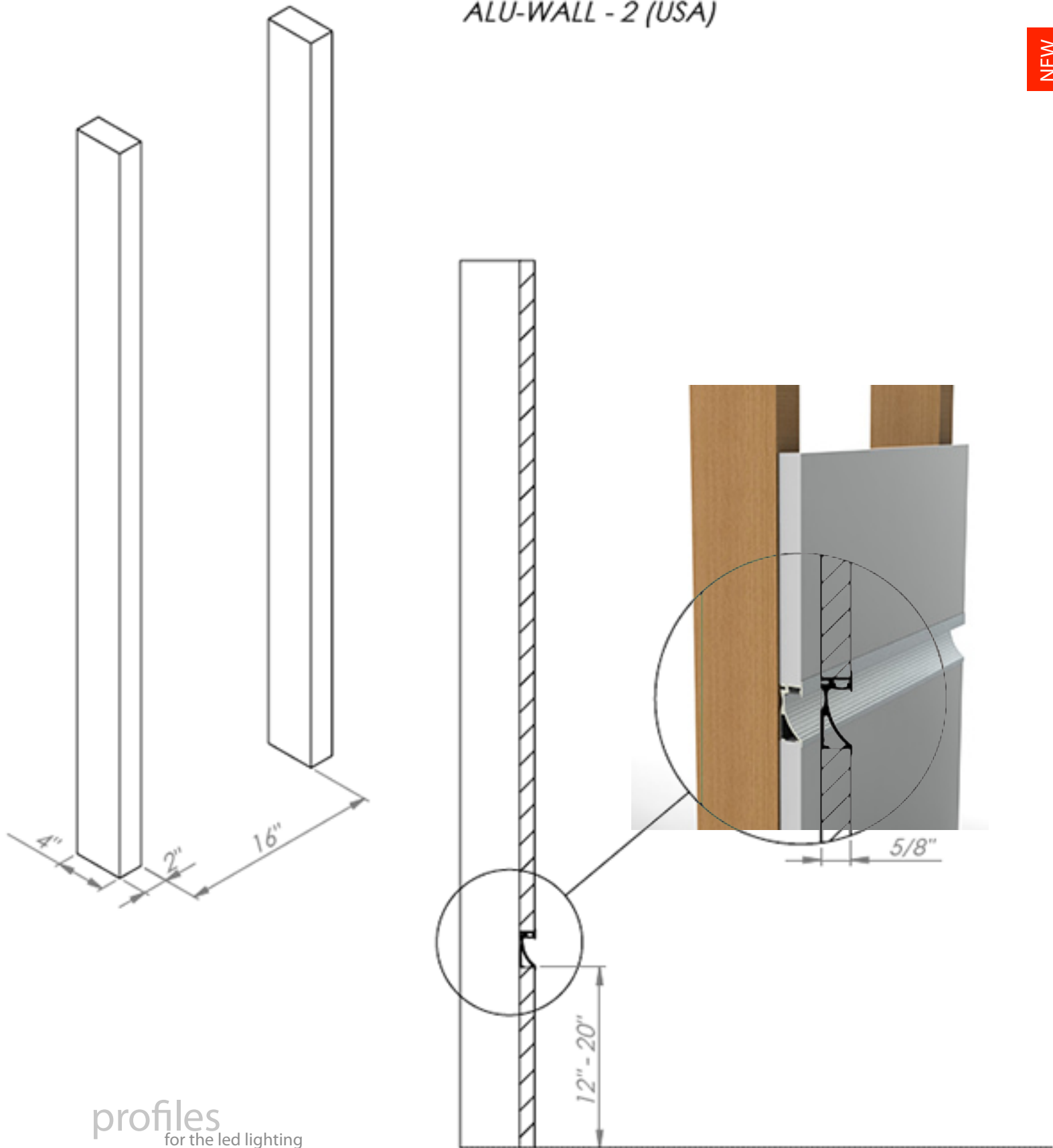
ALU-WALL-US
2m units only

Anodized silver
Patented Design

INSTALLATION OPTION

ALU-WALL - 2 (USA)

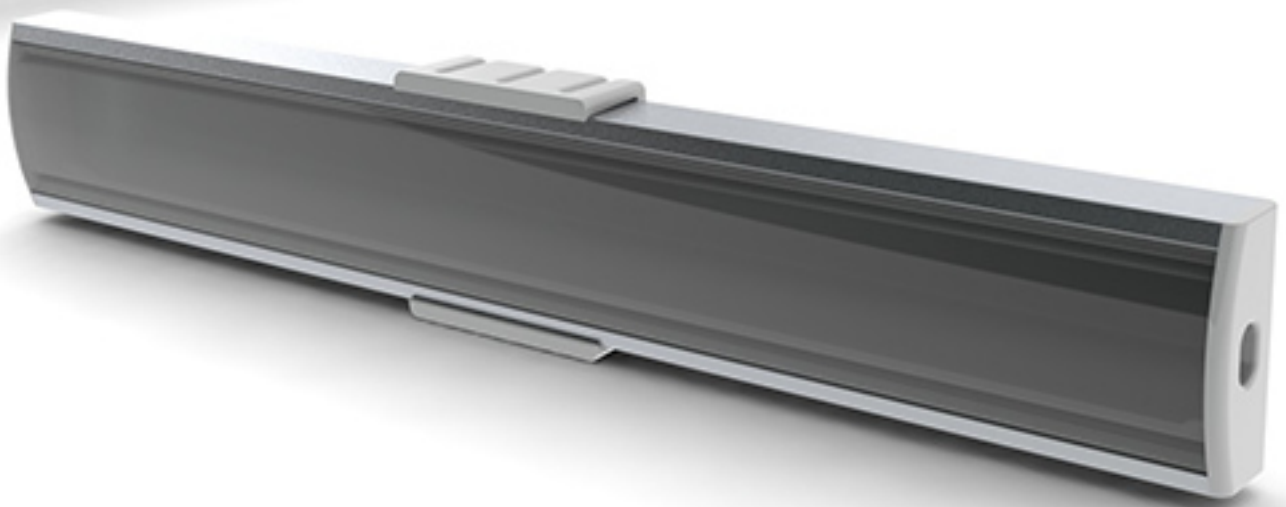
NEW



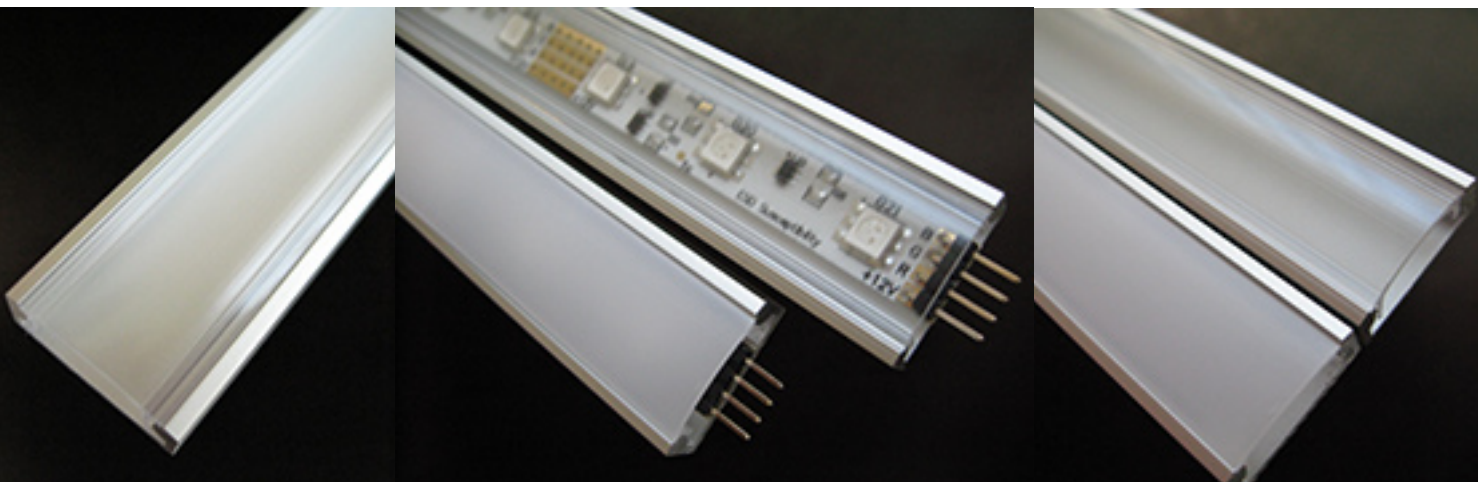
profiles
for the led lighting

SLIM LINE WIDE 8mm

Anodized / Patented Design



NEW

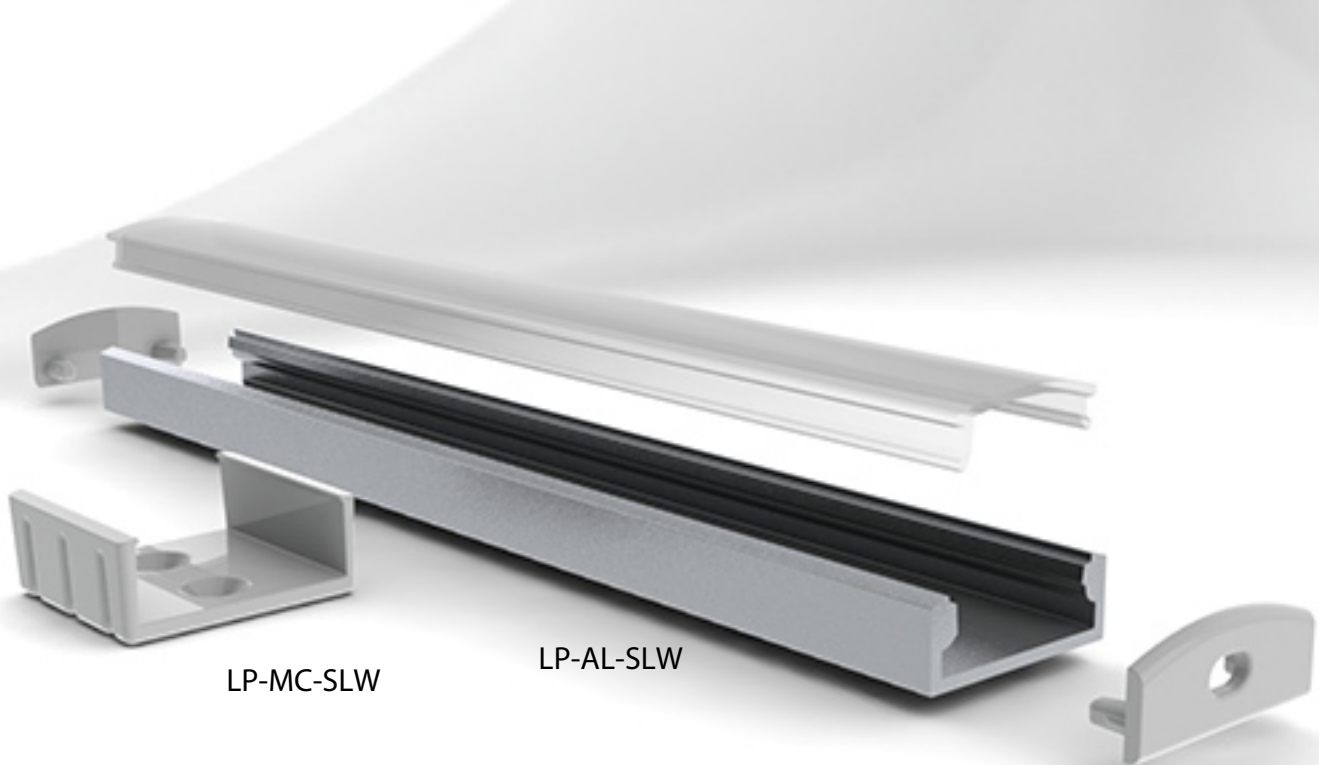


profiles
for the led lighting

SLIM LINE WIDE 8mm

Anodized / Patented Design

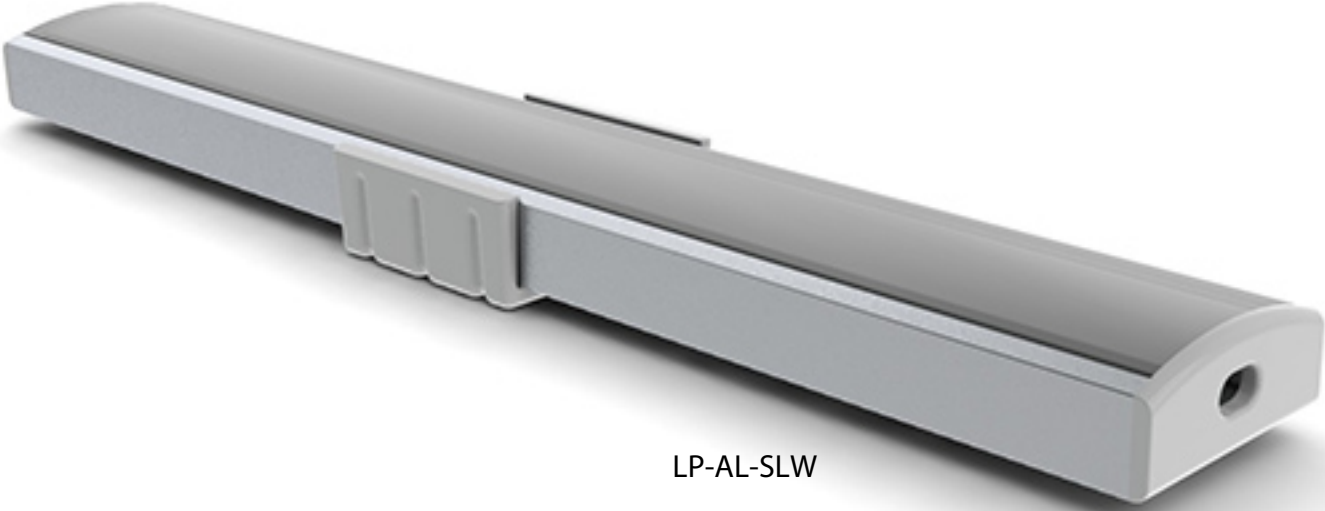
NEW



LP-MC-SLW

LP-AL-SLW

LP-EC-SLW



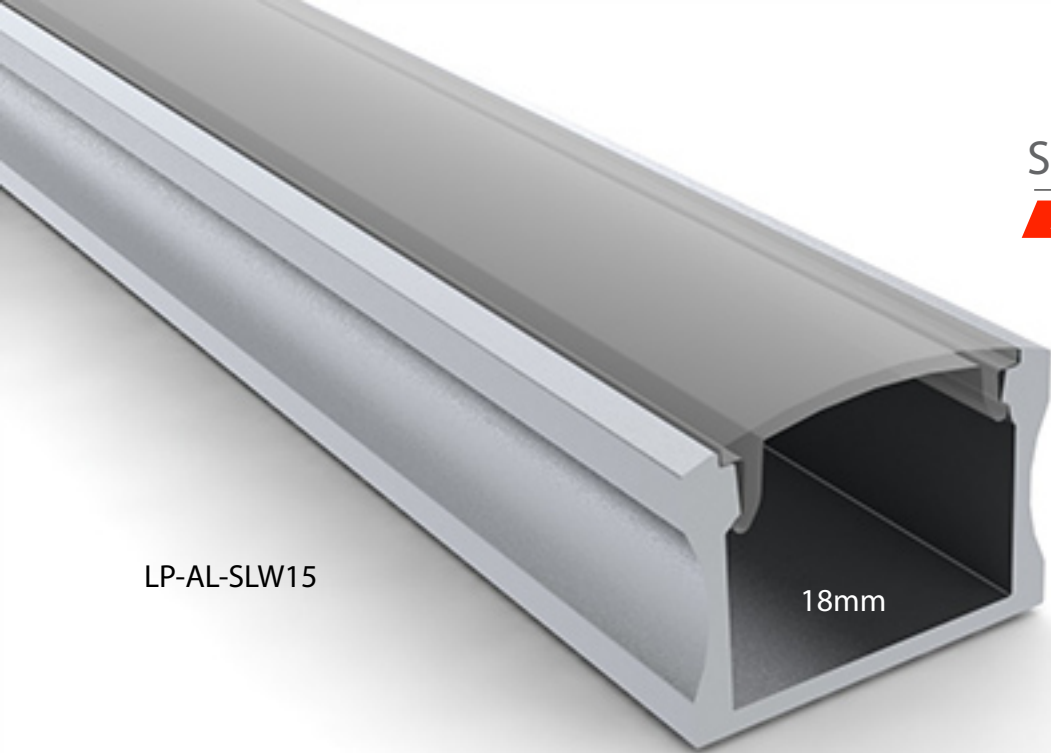
LP-AL-SLW

SLIM LINE WIDE 15mm

Anodized / Patented Design

NEW

LP-AL-SLW15



18mm

Product features :

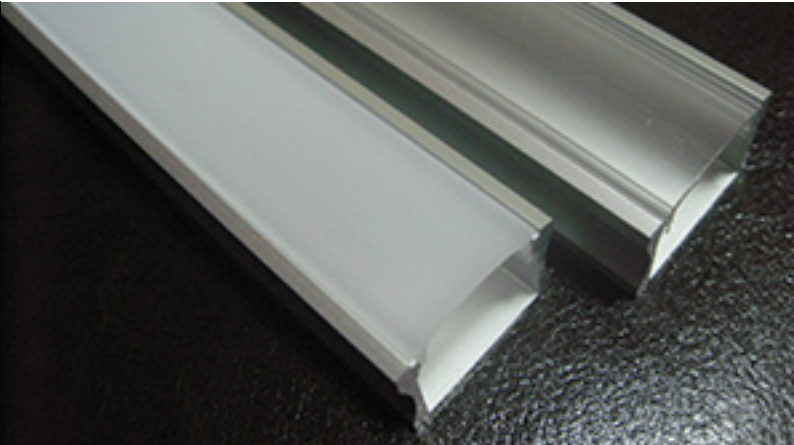
- Suitable for the double row LED stripes up to 18mm
- 18mm wide LED channel
- LEDs dots free led profile (frosted)
- Heavy heat sink for the LEDs
- Suitable for IP67 LED ribbons and any other led stripes

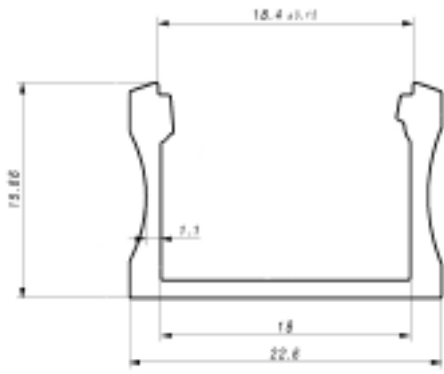


LP-MC-SLW15



LP-AL-SLW15



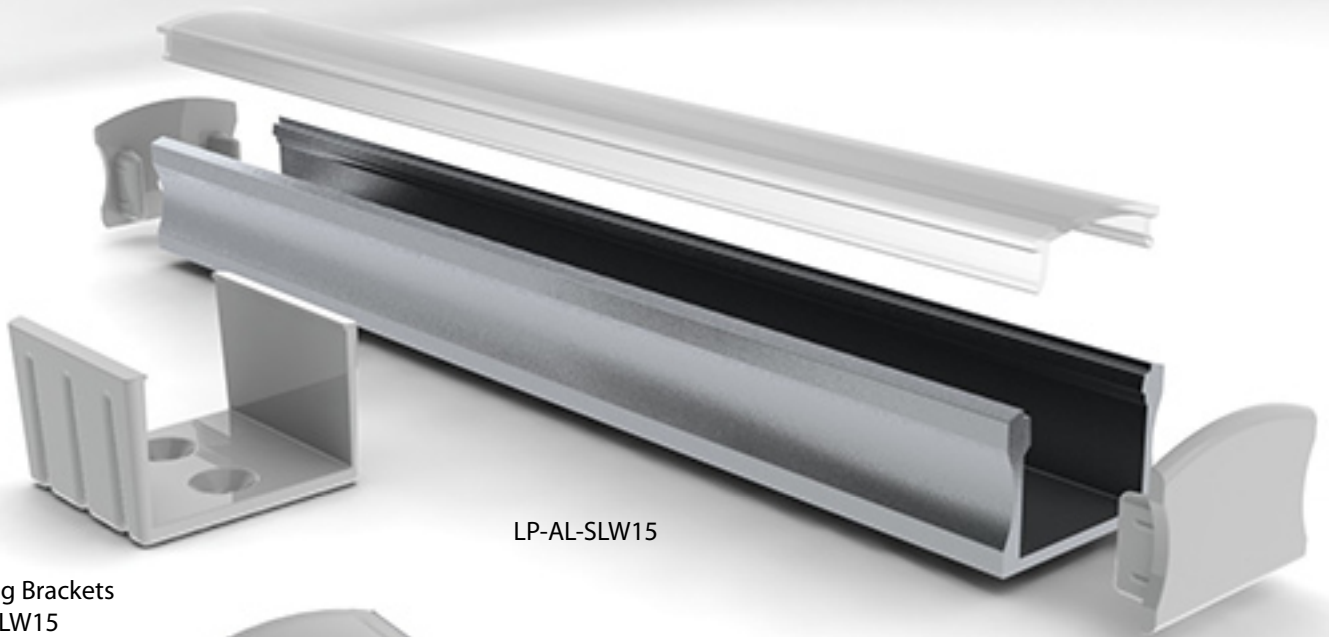


SLIM LINE WIDE 15mm

Anodized / Patented Design



NEW, STOCK

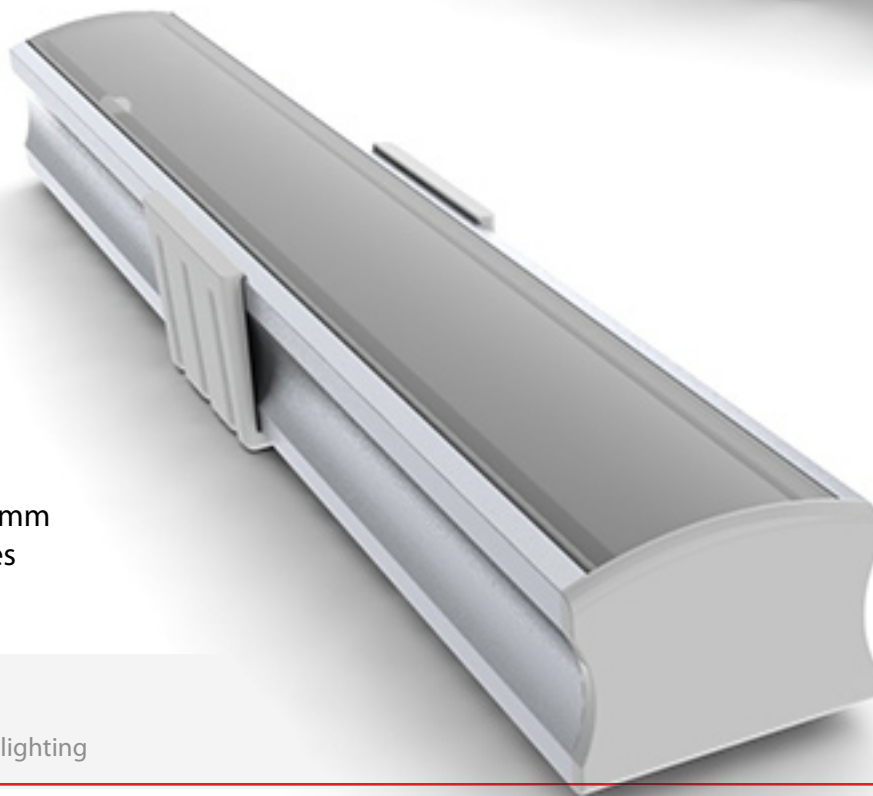


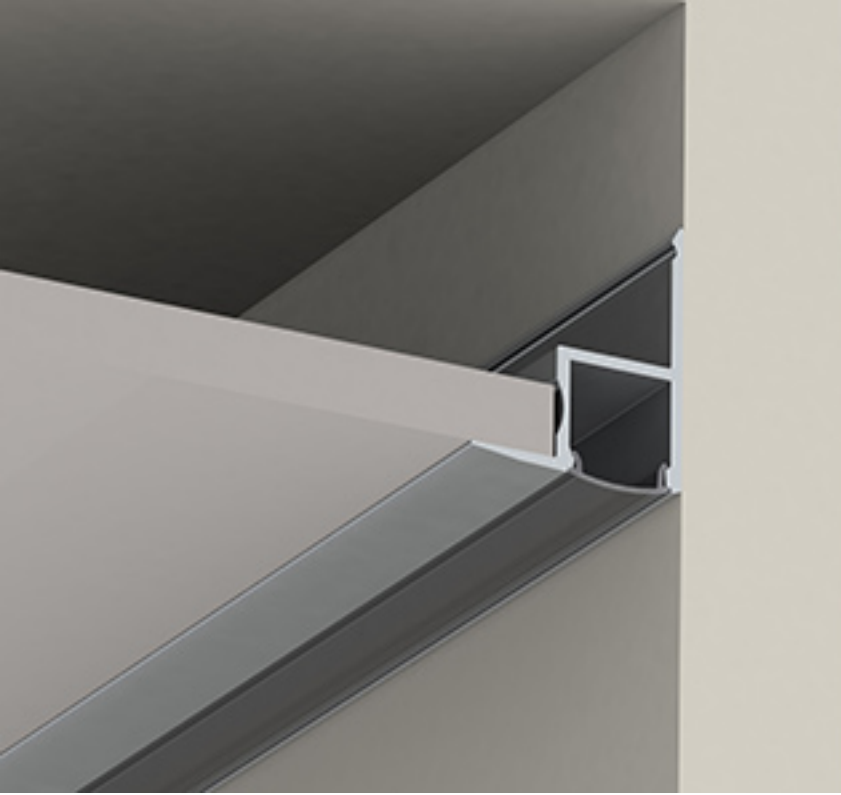
LP-AL-SLW15

Mounting Brackets
LP-MC-SLW15

End Cap
LP-EC-SLW15

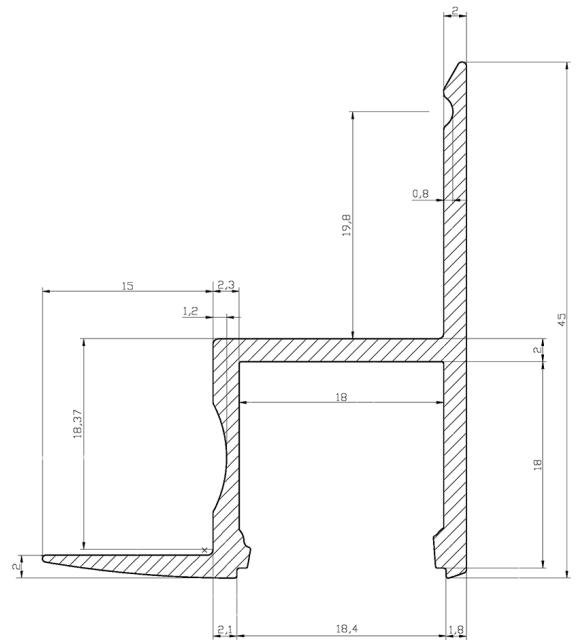
Slim Line Wide 15mm
with all accessories





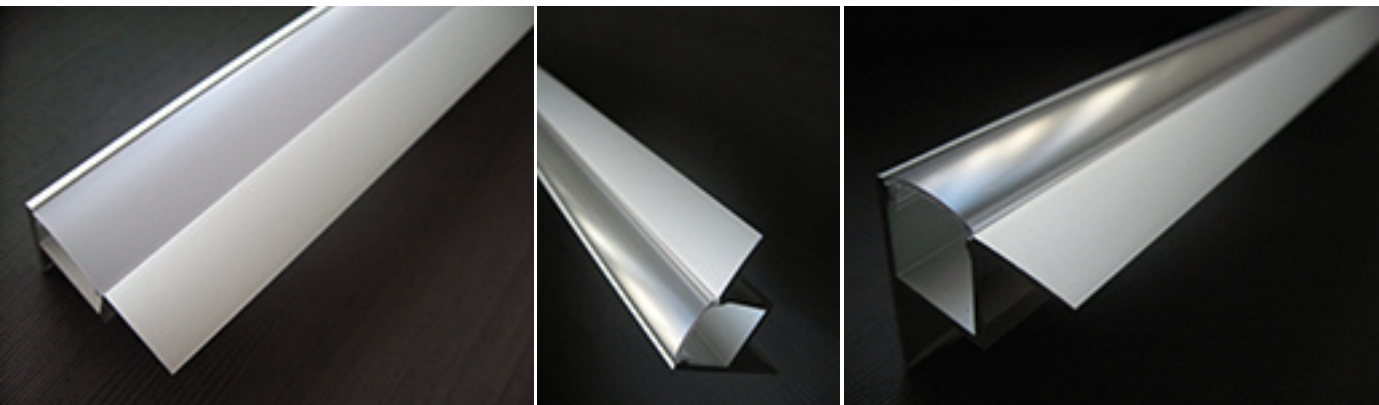
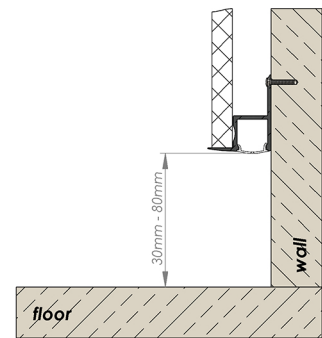
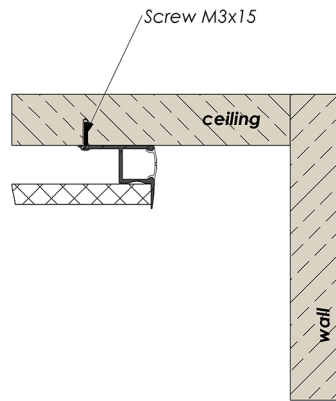
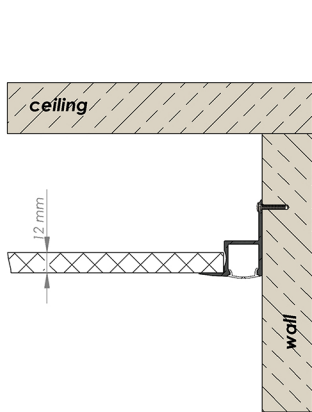
Alu-Ceiling

Anodized / Patented Design



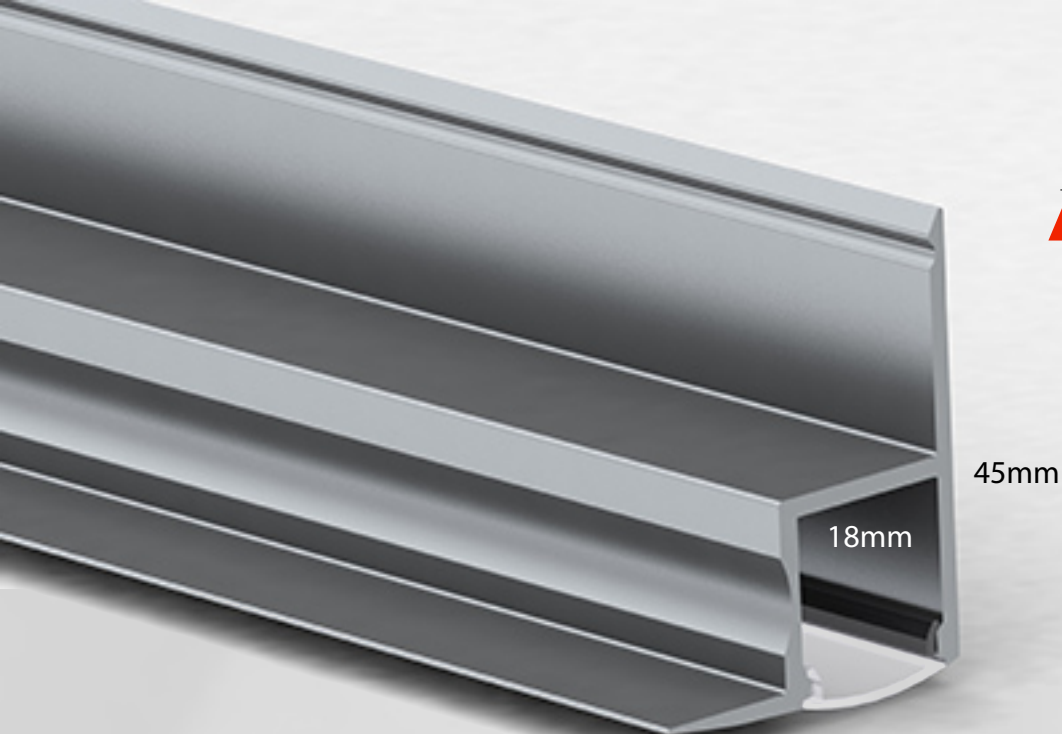
NEW

FIXING ALU-CEILING

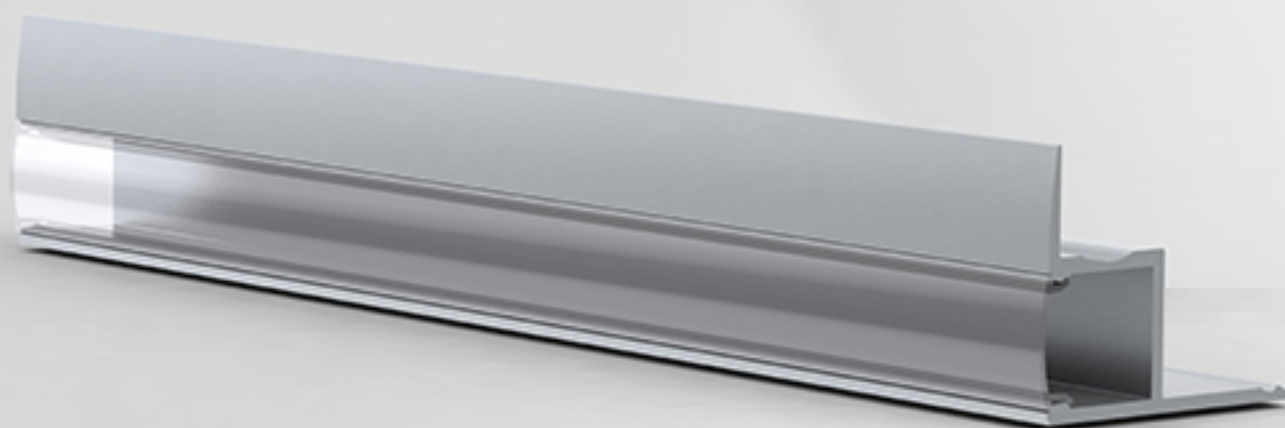


Alu-Ceiling

Anodized / Patented Design



NEW



Product features :

- LEDs dots free led profile
- Suitable for normal, IP67 or the double row LED stripes
- 18mm wide LED channel
- Heavy heat sink for the LEDs
- For indor/outdoor (with IP67 leds) use
- PC, UVA rezitant diffuser (clear/frosted)

Applications :

- Wall wash led lighting
- Floor LED lighting

profiles
for the led lighting